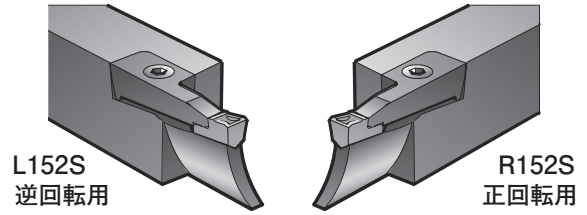


152S 端面溝入れ 3mm



NEW カットピア (CUTPIA) による日本生まれの新しいホルダ (型番末尾 N)

- ・ミルコーナ製と同等以上の品質で、価格を抑えました。
- ・ミルコーナと互換性があり、ミルコーナ/カットピアインサートが使用可能。

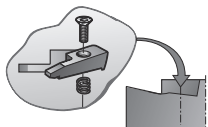
適用インサート	型番 型番末尾 N : CUTPIA	在庫	単価		寸法 (mm)					クランプ		クランプ スクリュー	スプリング	レンチ
			R 右勝手	L 左勝手	H	B	L	L ₁	B ₁	D	R152S 用 SHR			

インサート幅 3.0 (3.2) mm 加工径φ20 以上

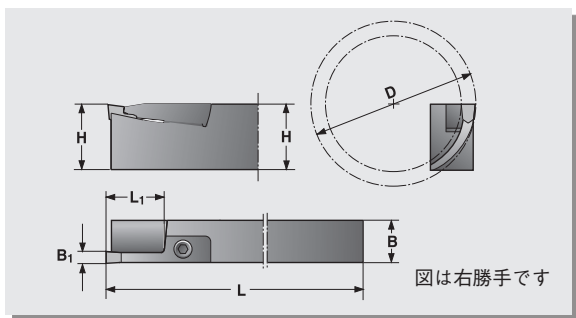
※	R/L 152S-1616x12x3/20-23		38,060	41,950	16	16	110	12	3	20-23	SHR133Z	SHL133Z	F6S411	-	NY2.5
※	R/L 152S-1616x12x3/20-23N		29,790	32,830	16	16	110	12	3	20-23	SHR133ZN	SHL133ZN	FTS412	-	T20
※	R/L 152S-1616x12x3/23-26		38,060	41,950	16	16	110	12	3	23-26	SHR133Z	SHL133Z	F6S411	-	NY2.5
※	R/L 152S-1616x12x3/23-26N		29,790	32,830	16	16	110	12	3	23-26	SHR133ZN	SHL133ZN	FTS412	-	T20
※	R/L 152S-1616x12x3/26-30		38,060	41,950	16	16	110	12	3	26-30	SHR133Z	SHL133Z	F6S411	-	NY2.5
※	R/L 152S-1616x12x3/26-30N		29,790	32,830	16	16	110	12	3	26-30	SHR133ZN	SHL133ZN	FTS412	-	T20
	R/L 152S-1616x12x3/30-35		38,060	41,950	16	16	110	12	3	30-35	SHR133P	SHL133P	F6S411	-	NY2.5
	R/L 152S-1616x12x3/30-35N		29,790	32,830	16	16	110	12	3	30-35	SHR133PN	SHL133PN	FTS412	-	T20
	R/L 152S-1616x12x3/35-40		38,060	41,950	16	16	110	12	3	35-40	SHR133P	SHL133P	F6S411	-	NY2.5
	R/L 152S-1616x12x3/35-40N		29,790	32,830	16	16	110	12	3	35-40	SHR133PN	SHL133PN	FTS412	-	T20
	R/L 152S-1616x12x3/40-50		38,060	41,950	16	16	110	12	3	40-50	SHR133	SHL133	F6S411	-	NY2.5
	R/L 152S-1616x12x3/40-50N		29,790	32,830	16	16	110	12	3	40-50	SHR133N	SHL133N	FTS412	-	T20
※	R/L 152S-2020x12x3/20-23	○	38,060	41,950	20	20	125	12	3	20-23	SHR133Z	SHL133Z	F6S411	-	NY2.5
※	R/L 152S-2020x12x3/20-23N		29,790	32,830	20	20	125	12	3	20-23	SHR133ZN	SHL133ZN	FTS412	-	T20
※	R/L 152S-2020x12x3/23-26	○	38,060	41,950	20	20	125	12	3	23-26	SHR133Z	SHL133Z	F6S411	-	NY2.5
※	R/L 152S-2020x12x3/23-26N		29,790	32,830	20	20	125	12	3	23-26	SHR133ZN	SHL133ZN	FTS412	-	T20
※	R/L 152S-2020x12x3/26-30	○	38,060	41,950	20	20	125	12	3	26-30	SHR133Z	SHL133Z	F6S411	-	NY2.5
※	R/L 152S-2020x12x3/26-30N		29,790	32,830	20	20	125	12	3	26-30	SHR133ZN	SHL133ZN	FTS412	-	T20
	R/L 152S-2020x12x3/30-35	○	38,060	41,950	20	20	125	12	3	30-35	SHR133P	SHL133P	F6S411	-	NY2.5
	R/L 152S-2020x12x3/30-35N		29,790	32,830	20	20	125	12	3	30-35	SHR133PN	SHL133PN	FTS412	-	T20
3	R/L 152S-2020x12x3/35-40	○	38,060	41,950	20	20	125	12	3	35-40	SHR133P	SHL133P	F6S411	-	NY2.5
	R/L 152S-2020x12x3/35-40N	○	29,790	32,830	20	20	125	12	3	35-40	SHR133PN	SHL133PN	FTS412	-	T20
	R/L 152S-2020x12x3/40-50	○	38,060	41,950	20	20	125	12	3	40-50	SHR133	SHL133	F6S411	-	NY2.5
	R/L 152S-2020x12x3/40-50N		29,790	32,830	20	20	125	12	3	40-50	SHR133N	SHL133N	FTS412	-	T20
	R/L 152S-2020x12x3/50-60T	○	38,060	41,950	20	20	125	12	3	50-60	SHR133	SHL133	F6S411	-	NY2.5
	R/L 152S-2020x12x3/50-60N	○	29,790	32,830	20	20	125	12	3	50-60	SHR133N	SHL133N	FTS412	-	T20
	R/L 152S-2020x12x3/60-75T	○	38,060	41,950	20	20	125	12	3	60-75	SHR133	SHL133	F6S411	-	NY2.5
	R/L 152S-2020x12x3/60-75N		29,790	32,830	20	20	125	12	3	60-75	SHR133N	SHL133N	FTS412	-	T20
	R/L 152S-2020x12x3/75-100T	○	38,060	41,950	20	20	125	12	3	75-100	SHR133	SHL133	F6S411	-	NY2.5
	R/L 152S-2020x12x3/75-100N	○	29,790	32,830	20	20	125	12	3	75-100	SHR133N	SHL133N	FTS412	-	T20
	R/L 152S-2020x12x3/100-140T	○	38,060	41,950	20	20	125	12	3	100-140	SHR133	SHL133	F6S411	-	NY2.5
	R/L 152S-2020x12x3/100-140N		29,790	32,830	20	20	125	12	3	100-140	SHR133N	SHL133N	FTS412	-	T20
	R/L 152S-2020x12x3/140-190T	○	38,060	41,950	20	20	125	12	3	140-190	SHR133	SHL133	F6S411	-	NY2.5
	R/L 152S-2020x12x3/140-190N		29,790	32,830	20	20	125	12	3	140-190	SHR133N	SHL133N	FTS412	-	T20
	R/L 152S-2020x12x3/190-300T	○	38,060	41,950	20	20	125	12	3	190-300	SHR133	SHL133	F6S411	-	NY2.5
	R/L 152S-2020x12x3/190-300N		29,790	32,830	20	20	125	12	3	190-300	SHR133N	SHL133N	FTS412	-	T20
	R/L 152S-2020x12x3/300-500T	○	38,060	41,950	20	20	125	12	3	300-500	SHR133	SHL133	F6S411	-	NY2.5
	R/L 152S-2020x12x3/300-500N		29,790	32,830	20	20	125	12	3	300-500	SHR133N	SHL133N	FTS412	-	T20



※ D 寸法 (溝外径) が、20-23、23-26、26-30 のホルダには専用インサート MT-3Z (P99) を使用してください。



レンチ以外のパーツはホルダに付属しています。

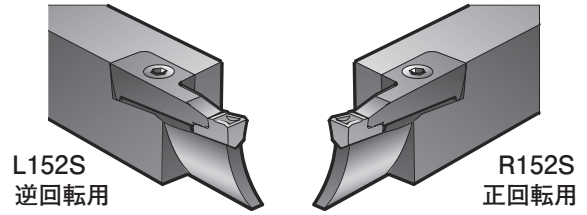


適用 インサート	型番 型番末尾 N : CUTPIA	在庫	単価		寸法 (mm)						クランプ		クランプ スクリュー	スプリング	レンチ
			R 右勝手	L 左勝手	H	B	L	L ₁	B ₁	D	R152S 用 SHR	L152S 用 SHL			
※	R/L 152S-2020x12x3/500-∞ T	○	38,060	41,950	20	20	125	12	3	500-∞	SHR133	SHL133	F6S411	-	NY2.5
	R/L 152S-2020x12x3/500-∞ N		29,790	32,830	20	20	125	12	3	500-∞	SHR133N	SHL133N	F6S412	-	T20
※	R/L 152S-2525x12x3/20-23	○	41,260	45,430	25	25	150	12	3	20-23	SHR133Z	SHL133Z	F6S411	-	NY2.5
※	R/L 152S-2525x12x3/20-23N	○	32,290	35,550	25	25	150	12	3	20-23	SHR133ZN	SHL133ZN	F6S412	-	T20
※	R/L 152S-2525x12x3/23-26	○	41,260	45,430	25	25	150	12	3	23-26	SHR133Z	SHL133Z	F6S411	-	NY2.5
※	R/L 152S-2525x12x3/23-26N		32,290	35,550	25	25	150	12	3	23-26	SHR133ZN	SHL133ZN	F6S412	-	T20
※	R/L 152S-2525x12x3/26-30	○	41,260	45,430	25	25	150	12	3	26-30	SHR133Z	SHL133Z	F6S411	-	NY2.5
※	R/L 152S-2525x12x3/26-30N		32,290	35,550	25	25	150	12	3	26-30	SHR133ZN	SHL133ZN	F6S412	-	T20
3	R/L 152S-2525x12x3/30-35	○	41,260	45,430	25	25	150	12	3	30-35	SHR133P	SHL133P	F6S411	-	NY2.5
	R/L 152S-2525x12x3/30-35N		32,290	35,550	25	25	150	12	3	30-35	SHR133PN	SHL133PN	F6S412	-	T20
	R/L 152S-2525x12x3/35-40	○	41,260	45,430	25	25	150	12	3	35-40	SHR133P	SHL133P	F6S411	-	NY2.5
	R/L 152S-2525x12x3/35-40N		32,290	35,550	25	25	150	12	3	35-40	SHR133PN	SHL133PN	F6S412	-	T20
	R/L 152S-2525x12x3/40-50	○	41,260	45,430	25	25	150	12	3	40-50	SHR133	SHL133	F6S411	-	NY2.5
	R/L 152S-2525x12x3/40-50N		32,290	35,550	25	25	150	12	3	40-50	SHR133N	SHL133N	F6S412	-	T20
	R/L 152S-2525x12x3/50-60T	◎	41,260	45,430	25	25	150	12	3	50-60	SHR133	SHL133	F6S411	-	NY2.5
	R/L 152S-2525x12x3/50-60N	○	32,290	35,550	25	25	150	12	3	50-60	SHR133N	SHL133N	F6S412	-	T20
	R/L 152S-2525x12x3/60-75T	○	41,260	45,430	25	25	150	12	3	60-75	SHR133	SHL133	F6S411	-	NY2.5
	R/L 152S-2525x12x3/60-75N		32,290	35,550	25	25	150	12	3	60-75	SHR133N	SHL133N	F6S412	-	T20
	R/L 152S-2525x12x3/75-100T	○	41,260	45,430	25	25	150	12	3	75-100	SHR133	SHL133	F6S411	-	NY2.5
	R/L 152S-2525x12x3/75-100N	○	32,290	35,550	25	25	150	12	3	75-100	SHR133N	SHL133N	F6S412	-	T20
	R/L 152S-2525x12x3/100-140T	○	41,260	45,430	25	25	150	12	3	100-140	SHR133	SHL133	F6S411	-	NY2.5
	R/L 152S-2525x12x3/100-140N	○	32,290	35,550	25	25	150	12	3	100-140	SHR133N	SHL133N	F6S412	-	T20
	R/L 152S-2525x12x3/140-190T	○	41,260	45,430	25	25	150	12	3	140-190	SHR133	SHL133	F6S411	-	NY2.5
	R/L 152S-2525x12x3/140-190N	○	32,290	35,550	25	25	150	12	3	140-190	SHR133N	SHL133N	F6S412	-	T20
	R/L 152S-2525x12x3/190-300T	○	41,260	45,430	25	25	150	12	3	190-300	SHR133	SHL133	F6S411	-	NY2.5
	R/L 152S-2525x12x3/190-300N	○	32,290	35,550	25	25	150	12	3	190-300	SHR133N	SHL133N	F6S412	-	T20
	R/L 152S-2525x12x3/300-500T	○	41,260	45,430	25	25	150	12	3	300-500	SHR133	SHL133	F6S411	-	NY2.5
	R/L 152S-2525x12x3/300-500N	○	32,290	35,550	25	25	150	12	3	300-500	SHR133N	SHL133N	F6S412	-	T20
	R/L 152S-2525x12x3/500-∞ T	○	41,260	45,430	25	25	150	12	3	500-∞	SHR133	SHL133	F6S411	-	NY2.5
	R/L 152S-2525x12x3/500-∞ N	○	32,290	35,550	25	25	150	12	3	500-∞	SHR133N	SHL133N	F6S412	-	T20
	R/L 152S-3225x12x3/50-60T		43,200	47,650	32	25	170	12	3	50-60	SHR133	SHL133	F6S411	-	NY2.5
	R/L 152S-3225x12x3/50-60N		33,810	37,290	32	25	170	12	3	50-60	SHR133N	SHL133N	F6S412	-	T20
	R/L 152S-3225x12x3/60-75T		43,200	47,650	32	25	170	12	3	60-75	SHR133	SHL133	F6S411	-	NY2.5
	R/L 152S-3225x12x3/60-75N		33,810	37,290	32	25	170	12	3	60-75	SHR133N	SHL133N	F6S412	-	T20
	R/L 152S-3225x12x3/75-100T		43,200	47,650	32	25	170	12	3	75-100	SHR133	SHL133	F6S411	-	NY2.5
	R/L 152S-3225x12x3/75-100N		33,810	37,290	32	25	170	12	3	75-100	SHR133N	SHL133N	F6S412	-	T20
	R/L 152S-3225x12x3/100-140T		43,200	47,650	32	25	170	12	3	100-140	SHR133	SHL133	F6S411	-	NY2.5
	R/L 152S-3225x12x3/100-140N		33,810	37,290	32	25	170	12	3	100-140	SHR133N	SHL133N	F6S412	-	T20
	R/L 152S-3225x12x3/140-190T		43,200	47,650	32	25	170	12	3	140-190	SHR133	SHL133	F6S411	-	NY2.5
	R/L 152S-3225x12x3/140-190N		33,810	37,290	32	25	170	12	3	140-190	SHR133N	SHL133N	F6S412	-	T20
	R/L 152S-3225x12x3/190-300T		43,200	47,650	32	25	170	12	3	190-300	SHR133	SHL133	F6S411	-	NY2.5
	R/L 152S-3225x12x3/190-300N		33,810	37,290	32	25	170	12	3	190-300	SHR133N	SHL133N	F6S412	-	T20
	R/L 152S-3225x12x3/300-500T	○	43,200	47,650	32	25	170	12	3	300-500	SHR133	SHL133	F6S411	-	NY2.5
	R/L 152S-3225x12x3/300-500N	○	33,810	37,290	32	25	170	12	3	300-500	SHR133N	SHL133N	F6S412	-	T20
	R/L 152S-3225x12x3/500-∞ T		43,200	47,650	32	25	170	12	3	500-∞	SHR133	SHL133	F6S411	-	NY2.5
	R/L 152S-3225x12x3/500-∞ N		33,810	37,290	32	25	170	12	3	500-∞	SHR133N	SHL133N	F6S412	-	T20

◎ : 左右両勝手在庫 ○ : 右勝手のみ在庫 空欄 : メーカー (海外) または受注生産

外径溝入れ
突切り
端面溝入れ
内径溝入れ
ヌスミ溝入れ
インサート
切削条件表
自動盤工具

152S 端面溝入れ 4mm



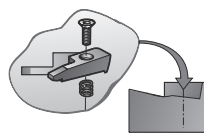
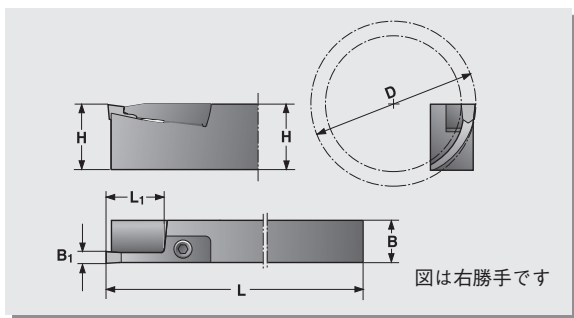
NEW カットピア (CUTPIA) による日本生まれの新しいホルダ (型番末尾 N)

- ・ミルコーナ製と同等以上の品質で、価格を抑えました。
- ・ミルコーナと互換性があり、ミルコーナ/カットピアインサートが使用可能。

適用インサート	型番 L152S R152S 型番末尾 N : CUTPIA	在庫	単価		寸法 (mm)						クランプ		クランプ スクリュー	スプリング	レンチ
			R 右勝手	L 左勝手	H	B	L	L ₁	B ₁	D	R152S 用 SHR	L152S 用 SHL			

インサート幅 4.0 (4.1) mm 加工径φ30 以上

R/L 152S-2020x12x4/30-40	○	38,060	41,950	20	20	125	12	4-4.5	30-40	SHR134P	SHL134P	F6S411	-	NY2.5
R/L 152S-2020x12x4/30-40N		29,790	32,830	20	20	125	12	4-4.5	30-40	SHR134PN	SHL134PN	FTS412	-	T20
R/L 152S-2020x12x4/40-50	○	38,060	41,950	20	20	125	12	4-4.5	40-50	SHR134	SHL134	F6S411	-	NY2.5
R/L 152S-2020x12x4/40-50N	○	29,790	32,830	20	20	125	12	4-4.5	40-50	SHR134N	SHL134N	FTS412	-	T20
R/L 152S-2020x12x4/50-60T	○	38,060	41,950	20	20	125	12	4-4.5	50-60	SHR134	SHL134	F6S411	-	NY2.5
R/L 152S-2020x12x4/50-60N		29,790	32,830	20	20	125	12	4-4.5	50-60	SHR134N	SHL134N	FTS412	-	T20
R/L 152S-2020x12x4/60-75T	○	38,060	41,950	20	20	125	12	4-4.5	60-75	SHR134	SHL134	F6S411	-	NY2.5
R/L 152S-2020x12x4/60-75N		29,790	32,830	20	20	125	12	4-4.5	60-75	SHR134N	SHL134N	FTS412	-	T20
R/L 152S-2020x12x4/75-100T	○	38,060	41,950	20	20	125	12	4-4.5	75-100	SHR134	SHL134	F6S411	-	NY2.5
R/L 152S-2020x12x4/75-100N		29,790	32,830	20	20	125	12	4-4.5	75-100	SHR134N	SHL134N	FTS412	-	T20
R/L 152S-2020x12x4/100-140T	○	38,060	41,950	20	20	125	12	4-4.5	100-140	SHR134	SHL134	F6S411	-	NY2.5
R/L 152S-2020x12x4/100-140N		29,790	32,830	20	20	125	12	4-4.5	100-140	SHR134N	SHL134N	FTS412	-	T20
R/L 152S-2020x12x4/140-190T	○	38,060	41,950	20	20	125	12	4-4.5	140-190	SHR134	SHL134	F6S411	-	NY2.5
R/L 152S-2020x12x4/140-190N		29,790	32,830	20	20	125	12	4-4.5	140-190	SHR134N	SHL134N	FTS412	-	T20
R/L 152S-2020x12x4/190-∞ T	○	38,060	41,950	20	20	125	12	4-4.5	190-∞	SHR134	SHL134	F6S411	-	NY2.5
R/L 152S-2020x12x4/190-∞ N		29,790	32,830	20	20	125	12	4-4.5	190-∞	SHR134N	SHL134N	FTS412	-	T20
R/L 152S-2020x20x4/30-35	○	40,280	44,310	20	20	125	20	4-4.5	30-35	SHR204MP	SHL204MP	F6S418	BF04M	NY2.5
R/L 152S-2020x20x4/30-35N	○	31,520	34,680	20	20	125	20	4-4.5	30-35	SHR204MPN	SHL204MPN	FTS416	BF04N	T20
R/L 152S-2020x20x4/35-40	○	40,280	44,310	20	20	125	20	4-4.5	35-40	SHR204MP	SHL204MP	F6S418	BF04M	NY2.5
R/L 152S-2020x20x4/35-40N		31,520	34,680	20	20	125	20	4-4.5	35-40	SHR204MPN	SHL204MPN	FTS416	BF04N	T20
R/L 152S-2020x20x4/40-50	○	40,280	44,310	20	20	125	20	4-4.5	40-50	SHR204MT	SHL204MT	F6S418	BF04M	NY2.5
R/L 152S-2020x20x4/40-50N		31,520	34,680	20	20	125	20	4-4.5	40-50	SHR204MTN	SHL204MTN	FTS416	BF04N	T20
R/L 152S-2020x20x4/50-60	○	40,280	44,310	20	20	125	20	4-4.5	50-60	SHR204MT	SHL204MT	F6S418	BF04M	NY2.5
R/L 152S-2020x20x4/50-60N	○	31,520	34,680	20	20	125	20	4-4.5	50-60	SHR204MTN	SHL204MTN	FTS416	BF04N	T20
R/L 152S-2020x20x4/60-75	○	40,280	44,310	20	20	125	20	4-4.5	60-75	SHR204MT	SHL204MT	F6S418	BF04M	NY2.5
R/L 152S-2020x20x4/60-75N		31,520	34,680	20	20	125	20	4-4.5	60-75	SHR204MTN	SHL204MTN	FTS416	BF04N	T20
R/L 152S-2020x20x4/75-100	○	40,280	44,310	20	20	125	20	4-4.5	75-100	SHR204MT	SHL204MT	F6S418	BF04M	NY2.5
R/L 152S-2020x20x4/75-100N		31,520	34,680	20	20	125	20	4-4.5	75-100	SHR204MTN	SHL204MTN	FTS416	BF04N	T20
R/L 152S-2020x20x4/100-140	○	40,280	44,310	20	20	125	20	4-4.5	100-140	SHR204MT	SHL204MT	F6S418	BF04M	NY2.5
R/L 152S-2020x20x4/100-140N		31,520	34,680	20	20	125	20	4-4.5	100-140	SHR204MTN	SHL204MTN	FTS416	BF04N	T20
R/L 152S-2020x20x4/140-190	○	40,280	44,310	20	20	125	20	4-4.5	140-190	SHR204MT	SHL204MT	F6S418	BF04M	NY2.5
R/L 152S-2020x20x4/140-190N		31,520	34,680	20	20	125	20	4-4.5	140-190	SHR204MTN	SHL204MTN	FTS416	BF04N	T20
R/L 152S-2020x20x4/190-300	○	40,280	44,310	20	20	125	20	4-4.5	190-300	SHR204MT	SHL204MT	F6S418	BF04M	NY2.5
R/L 152S-2020x20x4/190-300N		31,520	34,680	20	20	125	20	4-4.5	190-300	SHR204MTN	SHL204MTN	FTS416	BF04N	T20
R/L 152S-2020x20x4/300-∞	○	40,280	44,310	20	20	125	20	4-4.5	300-∞	SHR204MT	SHL204MT	F6S418	BF04M	NY2.5
R/L 152S-2020x20x4/300-∞ N		31,520	34,680	20	20	125	20	4-4.5	300-∞	SHR204MTN	SHL204MTN	FTS416	BF04N	T20
R/L 152S-2525x12x4/30-40	○	41,260	45,430	25	25	150	12	4-4.5	30-40	SHR134P	SHL134P	F6S411	-	NY2.5
R/L 152S-2525x12x4/30-40N	○	32,290	35,550	25	25	150	12	4-4.5	30-40	SHR134PN	SHL134PN	FTS412	-	T20
R/L 152S-2525x12x4/40-50	○	41,260	45,430	25	25	150	12	4-4.5	40-50	SHR134	SHL134	F6S411	-	NY2.5
R/L 152S-2525x12x4/40-50N		32,290	35,550	25	25	150	12	4-4.5	40-50	SHR134N	SHL134N	FTS412	-	T20
R/L 152S-2525x12x4/50-60T	○	41,260	45,430	25	25	150	12	4-4.5	50-60	SHR134	SHL134	F6S411	-	NY2.5
R/L 152S-2525x12x4/50-60N		32,290	35,550	25	25	150	12	4-4.5	50-60	SHR134N	SHL134N	FTS412	-	T20
R/L 152S-2525x12x4/60-75T	○	41,260	45,430	25	25	150	12	4-4.5	60-75	SHR134	SHL134	F6S411	-	NY2.5
R/L 152S-2525x12x4/60-75N		32,290	35,550	25	25	150	12	4-4.5	60-75	SHR134N	SHL134N	FTS412	-	T20
R/L 152S-2525x12x4/75-100T	○	41,260	45,430	25	25	150	12	4-4.5	75-100	SHR134	SHL134	F6S411	-	NY2.5
R/L 152S-2525x12x4/75-100N		32,290	35,550	25	25	150	12	4-4.5	75-100	SHR134N	SHL134N	FTS412	-	T20



レンチ以外のパーツはホルダに付属しています。

適用インサート	型番 L152S R152S 型番末尾 N : CUTPIA	在庫	単価		寸法 (mm)					クランプ		クランプ スクリュー	スプリング	レンチ	
			R 右勝手	L 左勝手	H	B	L	L ₁	B ₁	D	R152S 用 SHR	L152S 用 SHL			
			4												
R/L 152S-2525x12x4/100-140T	○	41,260	45,430	25	25	150	12	4-4.5	100-140	SHR134	SHL134	F6S411	-	NY2.5	
R/L 152S-2525x12x4/100-140N	○	32,290	35,550	25	25	150	12	4-4.5	100-140	SHR134N	SHL134N	F6S412	-	T20	
R/L 152S-2525x12x4/140-190T	○	41,260	45,430	25	25	150	12	4-4.5	140-190	SHR134	SHL134	F6S411	-	NY2.5	
R/L 152S-2525x12x4/140-190N		32,290	35,550	25	25	150	12	4-4.5	140-190	SHR134N	SHL134N	F6S412	-	T20	
R/L 152S-2525x12x4/190-∞ T	○	41,260	45,430	25	25	150	12	4-4.5	190-∞	SHR134	SHL134	F6S411	-	NY2.5	
R/L 152S-2525x12x4/190-∞ N	○	32,290	35,550	25	25	150	12	4-4.5	190-∞	SHR134N	SHL134N	F6S412	-	T20	
R/L 152S-2525x20x4/30-35	○	44,590	49,170	25	25	150	20	4-4.5	30-35	SHR204MP	SHL204MP	F6S418	BF04M	NY2.5	
R/L 152S-2525x20x4/30-35N		34,900	38,480	25	25	150	20	4-4.5	30-35	SHR204MPN	SHL204MPN	F6S416	BF04N	T20	
R/L 152S-2525x20x4/35-40	○	44,590	49,170	25	25	150	20	4-4.5	35-40	SHR204MP	SHL204MP	F6S418	BF04M	NY2.5	
R/L 152S-2525x20x4/35-40N		34,900	38,480	25	25	150	20	4-4.5	35-40	SHR204MPN	SHL204MPN	F6S416	BF04N	T20	
R/L 152S-2525x20x4/40-50	○	44,590	49,170	25	25	150	20	4-4.5	40-50	SHR204MT	SHL204MT	F6S418	BF04M	NY2.5	
R/L 152S-2525x20x4/40-50N	○	34,900	38,480	25	25	150	20	4-4.5	40-50	SHR204MTN	SHL204MTN	F6S416	BF04N	T20	
R/L 152S-2525x20x4/50-60	○	44,590	49,170	25	25	150	20	4-4.5	50-60	SHR204MT	SHL204MT	F6S418	BF04M	NY2.5	
R/L 152S-2525x20x4/50-60N		34,900	38,480	25	25	150	20	4-4.5	50-60	SHR204MTN	SHL204MTN	F6S416	BF04N	T20	
R/L 152S-2525x20x4/60-75	○	44,590	49,170	25	25	150	20	4-4.5	60-75	SHR204MT	SHL204MT	F6S418	BF04M	NY2.5	
R/L 152S-2525x20x4/60-75N		34,900	38,480	25	25	150	20	4-4.5	60-75	SHR204MTN	SHL204MTN	F6S416	BF04N	T20	
R/L 152S-2525x20x4/75-100	○	44,590	49,170	25	25	150	20	4-4.5	75-100	SHR204MT	SHL204MT	F6S418	BF04M	NY2.5	
R/L 152S-2525x20x4/75-100N	○	34,900	38,480	25	25	150	20	4-4.5	75-100	SHR204MTN	SHL204MTN	F6S416	BF04N	T20	
R/L 152S-2525x20x4/100-140	◎	44,590	49,170	25	25	150	20	4-4.5	100-140	SHR204MT	SHL204MT	F6S418	BF04M	NY2.5	
R/L 152S-2525x20x4/100-140N	◎	34,900	38,480	25	25	150	20	4-4.5	100-140	SHR204MTN	SHL204MTN	F6S416	BF04N	T20	
R/L 152S-2525x20x4/140-190	○	44,590	49,170	25	25	150	20	4-4.5	140-190	SHR204MT	SHL204MT	F6S418	BF04M	NY2.5	
R/L 152S-2525x20x4/140-190N		34,900	38,480	25	25	150	20	4-4.5	140-190	SHR204MTN	SHL204MTN	F6S416	BF04N	T20	
R/L 152S-2525x20x4/190-300	○	44,590	49,170	25	25	150	20	4-4.5	190-300	SHR204MT	SHL204MT	F6S418	BF04M	NY2.5	
R/L 152S-2525x20x4/190-300N	○	34,900	38,480	25	25	150	20	4-4.5	190-300	SHR204MTN	SHL204MTN	F6S416	BF04N	T20	
R/L 152S-2525x20x4/300-∞	○	44,590	49,170	25	25	150	20	4-4.5	300-∞	SHR204MT	SHL204MT	F6S418	BF04M	NY2.5	
R/L 152S-2525x20x4/300-∞ N		34,900	38,480	25	25	150	20	4-4.5	300-∞	SHR204MTN	SHL204MTN	F6S416	BF04N	T20	
R/L 152S-2525x25x4/50-60	○	45,830	50,420	25	25	150	25	4-4.5	50-60	SHR254MT	SHL254MT	F6S418	BF04M	NY2.5	
R/L 152S-2525x25x4/50-60N	○	35,870	39,460	25	25	150	25	4-4.5	50-60	SHR254MTN	SHL254MTN	F6S416	BF04N	T20	
R/L 152S-2525x25x4/60-75	○	45,830	50,420	25	25	150	25	4-4.5	60-75	SHR254MT	SHL254MT	F6S418	BF04M	NY2.5	
R/L 152S-2525x25x4/60-75N		35,870	39,460	25	25	150	25	4-4.5	60-75	SHR254MTN	SHL254MTN	F6S416	BF04N	T20	
R/L 152S-2525x25x4/75-100	○	45,830	50,420	25	25	150	25	4-4.5	75-100	SHR254MT	SHL254MT	F6S418	BF04M	NY2.5	
R/L 152S-2525x25x4/75-100N		35,870	39,460	25	25	150	25	4-4.5	75-100	SHR254MTN	SHL254MTN	F6S416	BF04N	T20	
R/L 152S-2525x25x4/100-140	○	45,830	50,420	25	25	150	25	4-4.5	100-140	SHR254MT	SHL254MT	F6S418	BF04M	NY2.5	
R/L 152S-2525x25x4/100-140N	○	35,870	39,460	25	25	150	25	4-4.5	100-140	SHR254MTN	SHL254MTN	F6S416	BF04N	T20	
R/L 152S-2525x25x4/140-190	○	45,830	50,420	25	25	150	25	4-4.5	140-190	SHR254MT	SHL254MT	F6S418	BF04M	NY2.5	
R/L 152S-2525x25x4/140-190N	○	35,870	39,460	25	25	150	25	4-4.5	140-190	SHR254MTN	SHL254MTN	F6S416	BF04N	T20	
R/L 152S-2525x25x4/190-300	○	45,830	50,420	25	25	150	25	4-4.5	190-300	SHR254MT	SHL254MT	F6S418	BF04M	NY2.5	
R/L 152S-2525x25x4/190-300N	○	35,870	39,460	25	25	150	25	4-4.5	190-300	SHR254MTN	SHL254MTN	F6S416	BF04N	T20	
R/L 152S-2525x25x4/300-∞	○	45,830	50,420	25	25	150	25	4-4.5	300-∞	SHR254MT	SHL254MT	F6S418	BF04M	NY2.5	
R/L 152S-2525x25x4/300-∞ N	○	35,870	39,460	25	25	150	25	4-4.5	300-∞	SHR254MTN	SHL254MTN	F6S416	BF04N	T20	
R/L 152S-3225x12x4/40-50		43,200	47,650	32	25	170	12	4-4.5	40-50	SHR134	SHL134	F6S411	-	NY2.5	
R/L 152S-3225x12x4/40-50N		33,810	37,290	32	25	170	12	4-4.5	40-50	SHR134N	SHL134N	F6S412	-	T20	
R/L 152S-3225x12x4/50-60T		43,200	47,650	32	25	170	12	4-4.5	50-60	SHR134	SHL134	F6S411	-	NY2.5	
R/L 152S-3225x12x4/50-60N		33,810	37,290	32	25	170	12	4-4.5	50-60	SHR134N	SHL134N	F6S412	-	T20	
R/L 152S-3225x12x4/60-75T		43,200	47,650	32	25	170	12	4-4.5	60-75	SHR134	SHL134	F6S411	-	NY2.5	
R/L 152S-3225x12x4/60-75N		33,810	37,290	32	25	170	12	4-4.5	60-75	SHR134N	SHL134N	F6S412	-	T20	
R/L 152S-3225x12x4/75-100T		43,200	47,650	32	25	170	12	4-4.5	75-100	SHR134	SHL134	F6S411	-	NY2.5	
R/L 152S-3225x12x4/75-100N		33,810	37,290	32	25	170	12	4-4.5	75-100	SHR134N	SHL134N	F6S412	-	T20	

◎ : 左右両勝手在庫 ○ : 右勝手のみ在庫 空欄 : メーカー (海外) または受注生産

外径溝入れ

突切り

端面溝入れ

内径溝入れ

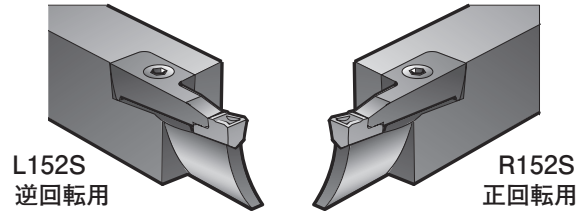
ヌスミ溝入れ

インサート

切削条件表

自動盤工具

152S 端面溝入れ 4-5mm



NEW カットピア (CUTPIA) による日本生まれの新しいホルダ (型番末尾 N)

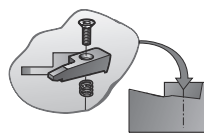
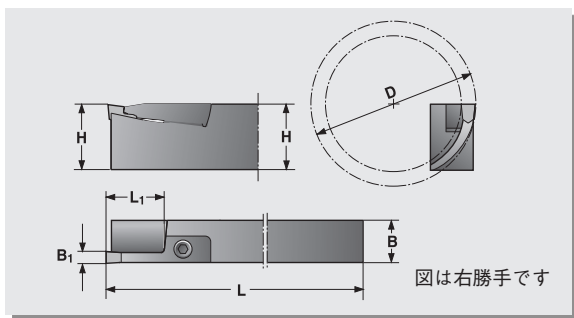
- ・ミルコーナ製と同等以上の品質で、価格を抑えました。
- ・ミルコーナと互換性があり、ミルコーナ/カットピアインサートが使用可能。

適用インサート	型番 L152S R152S 型番末尾 N : CUTPIA	在庫	単価		寸法 (mm)					クランプ		クランプ スクリュー	スプリング	レンチ
			R 右勝手	L 左勝手	H	B	L	L ₁	B ₁	D	R152S 用 SHR			

インサート幅 4.0 (4.1) mm 加工径φ30 以上

R/L 152S-3225x12x4/100-140T			43,200	47,650	32	25	170	12	4-4.5	100-140	SHR134	SHL134	F6S411	-	NY2.5
R/L 152S-3225x12x4/100-140N			33,810	37,290	32	25	170	12	4-4.5	100-140	SHR134N	SHL134N	FTS412	-	T20
R/L 152S-3225x12x4/140-190T			43,200	47,650	32	25	170	12	4-4.5	140-190	SHR134	SHL134	F6S411	-	NY2.5
R/L 152S-3225x12x4/140-190N			33,810	37,290	32	25	170	12	4-4.5	140-190	SHR134N	SHL134N	FTS412	-	T20
R/L 152S-3225x12x4/190-∞ T			43,200	47,650	32	25	170	12	4-4.5	190-∞	SHR134	SHL134	F6S411	-	NY2.5
R/L 152S-3225x12x4/190-∞ N			33,810	37,290	32	25	170	12	4-4.5	190-∞	SHR134N	SHL134N	FTS412	-	T20
R/L 152S-3225x20x4/50-60			45,830	50,420	32	25	170	20	4-4.5	50-60	SHR204MT	SHL204MT	F6S418	-	NY2.5
R/L 152S-3225x20x4/50-60N			35,870	39,460	32	25	170	20	4-4.5	50-60	SHR204MTN	SHL204MTN	FTS416	-	T20
R/L 152S-3225x20x4/60-75			45,830	50,420	32	25	170	20	4-4.5	60-75	SHR204MT	SHL204MT	F6S418	-	NY2.5
R/L 152S-3225x20x4/60-75N			35,870	39,460	32	25	170	20	4-4.5	60-75	SHR204MTN	SHL204MTN	FTS416	-	T20
R/L 152S-3225x20x4/75-100			45,830	50,420	32	25	170	20	4-4.5	75-100	SHR204MT	SHL204MT	F6S418	-	NY2.5
R/L 152S-3225x20x4/75-100N			35,870	39,460	32	25	170	20	4-4.5	75-100	SHR204MTN	SHL204MTN	FTS416	-	T20
R/L 152S-3225x20x4/100-140			45,830	50,420	32	25	170	20	4-4.5	100-140	SHR204MT	SHL204MT	F6S418	-	NY2.5
R/L 152S-3225x20x4/100-140N			35,870	39,460	32	25	170	20	4-4.5	100-140	SHR204MTN	SHL204MTN	FTS416	-	T20
R/L 152S-3225x20x4/140-190			45,830	50,420	32	25	170	20	4-4.5	140-190	SHR204MT	SHL204MT	F6S418	-	NY2.5
R/L 152S-3225x20x4/140-190N			35,870	39,460	32	25	170	20	4-4.5	140-190	SHR204MTN	SHL204MTN	FTS416	-	T20
R/L 152S-3225x20x4/190-300	○		45,830	50,420	32	25	170	20	4-4.5	190-300	SHR204MT	SHL204MT	F6S418	-	NY2.5
R/L 152S-3225x20x4/190-300N			35,870	39,460	32	25	170	20	4-4.5	190-300	SHR204MTN	SHL204MTN	FTS416	-	T20
R/L 152S-3225x20x4/300-∞	○		45,830	50,420	32	25	170	20	4-4.5	300-∞	SHR204MT	SHL204MT	F6S418	-	NY2.5
R/L 152S-3225x20x4/300-∞ N	○		35,870	39,460	32	25	170	20	4-4.5	300-∞	SHR204MTN	SHL204MTN	FTS416	-	T20
R/L 152S-3225x25x4/50-60			46,950	51,540	32	25	170	25	4-4.5	50-60	SHR254MT	SHL254MT	F6S418	BF04M	NY2.5
R/L 152S-3225x25x4/50-60N			36,740	40,330	32	25	170	25	4-4.5	50-60	SHR254MTN	SHL254MTN	FTS416	BF04N	T20
R/L 152S-3225x25x4/60-75			46,950	51,540	32	25	170	25	4-4.5	60-75	SHR254MT	SHL254MT	F6S418	BF04M	NY2.5
R/L 152S-3225x25x4/60-75N			36,740	40,330	32	25	170	25	4-4.5	60-75	SHR254MTN	SHL254MTN	FTS416	BF04N	T20
R/L 152S-3225x25x4/75-100			46,950	51,540	32	25	170	25	4-4.5	75-100	SHR254MT	SHL254MT	F6S418	BF04M	NY2.5
R/L 152S-3225x25x4/75-100N			36,740	40,330	32	25	170	25	4-4.5	75-100	SHR254MTN	SHL254MTN	FTS416	BF04N	T20
R/L 152S-3225x25x4/100-140			46,950	51,540	32	25	170	25	4-4.5	100-140	SHR254MT	SHL254MT	F6S418	BF04M	NY2.5
R/L 152S-3225x25x4/100-140N			36,740	40,330	32	25	170	25	4-4.5	100-140	SHR254MTN	SHL254MTN	FTS416	BF04N	T20
R/L 152S-3225x25x4/140-190	○		46,950	51,540	32	25	170	25	4-4.5	140-190	SHR254MT	SHL254MT	F6S418	BF04M	NY2.5
R/L 152S-3225x25x4/140-190N			36,740	40,330	32	25	170	25	4-4.5	140-190	SHR254MTN	SHL254MTN	FTS416	BF04N	T20
R/L 152S-3225x25x4/190-300			46,950	51,540	32	25	170	25	4-4.5	190-300	SHR254MT	SHL254MT	F6S418	BF04M	NY2.5
R/L 152S-3225x25x4/190-300N			36,740	40,330	32	25	170	25	4-4.5	190-300	SHR254MTN	SHL254MTN	FTS416	BF04N	T20
R/L 152S-3225x25x4/300-∞	○		46,950	51,540	32	25	170	25	4-4.5	300-∞	SHR254MT	SHL254MT	F6S418	BF04M	NY2.5
R/L 152S-3225x25x4/300-∞ N			36,740	40,330	32	25	170	25	4-4.5	300-∞	SHR254MTN	SHL254MTN	FTS416	BF04N	T20

○ : 左右両勝手在庫 ○ : 右勝手のみ在庫 空欄 : メーカー (海外) または受注生産



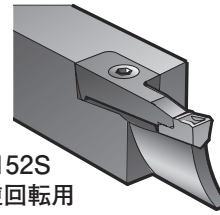
レンチ以外のパーツはホルダに付属しています。

適用インサート	型番 L152S R152S 型番末尾 N : CUTPIA	在庫	単価		寸法 (mm)					クランプ		クランプ スクリュー	スプリング	レンチ
			R 右勝手	L 左勝手	H	B	L	L1	B1	D	R152S 用 SHR	L152S 用 SHL		

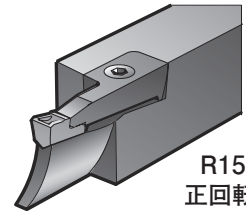
インサート幅 5.0 (5.1) mm 加工径φ30以上

R/L 152S-2020x12x5/30-40			38,060	41,950	20	20	125	12	5	30-40	SHR135P	SHL135P	F6S411	-	NY2.5
R/L 152S-2020x12x5/30-40N			29,790	32,830	20	20	125	12	5	30-40	SHR135PN	SHL135PN	F6S412	-	T20
R/L 152S-2020x12x5/40-50			38,060	41,950	20	20	125	12	5	40-50	SHR135	SHL135	F6S411	-	NY2.5
R/L 152S-2020x12x5/40-50N			29,790	32,830	20	20	125	12	5	40-50	SHR135N	SHL135N	F6S412	-	T20
R/L 152S-2020x12x5/50-60T			38,060	41,950	20	20	125	12	5	50-60	SHR135	SHL135	F6S411	-	NY2.5
R/L 152S-2020x12x5/50-60N			29,790	32,830	20	20	125	12	5	50-60	SHR135N	SHL135N	F6S412	-	T20
R/L 152S-2020x12x5/60-75T			38,060	41,950	20	20	125	12	5	60-75	SHR135	SHL135	F6S411	-	NY2.5
R/L 152S-2020x12x5/60-75N			29,790	32,830	20	20	125	12	5	60-75	SHR135N	SHL135N	F6S412	-	T20
R/L 152S-2020x12x5/75-100T			38,060	41,950	20	20	125	12	5	75-100	SHR135	SHL135	F6S411	-	NY2.5
R/L 152S-2020x12x5/75-100N			29,790	32,830	20	20	125	12	5	75-100	SHR135N	SHL135N	F6S412	-	T20
R/L 152S-2020x12x5/100-140T			38,060	41,950	20	20	125	12	5	100-140	SHR135	SHL135	F6S411	-	NY2.5
R/L 152S-2020x12x5/100-140N			29,790	32,830	20	20	125	12	5	100-140	SHR135N	SHL135N	F6S412	-	T20
R/L 152S-2020x12x5/140-190T			38,060	41,950	20	20	125	12	5	140-190	SHR135	SHL135	F6S411	-	NY2.5
R/L 152S-2020x12x5/140-190N			29,790	32,830	20	20	125	12	5	140-190	SHR135N	SHL135N	F6S412	-	T20
R/L 152S-2020x12x5/190-∞ T			38,060	41,950	20	20	125	12	5	190-∞	SHR135	SHL135	F6S411	-	NY2.5
R/L 152S-2020x12x5/190-∞ N			29,790	32,830	20	20	125	12	5	190-∞	SHR135N	SHL135N	F6S412	-	T20
R/L 152S-2020x20x5/30-40	○		40,280	44,310	20	20	125	20	5	30-40	SHR205MP	SHL205MP	F6S418	BF04M	NY2.5
R/L 152S-2020x20x5/30-40N	○		31,520	34,680	20	20	125	20	5	30-40	SHR205MPN	SHL205MPN	F6S416	BF04N	T20
R/L 152S-2020x20x5/40-50			40,280	44,310	20	20	125	20	5	40-50	SHR205MT	SHL205MT	F6S418	BF04M	NY2.5
R/L 152S-2020x20x5/40-50N			31,520	34,680	20	20	125	20	5	40-50	SHR205MTN	SHL205MTN	F6S416	BF04N	T20
R/L 152S-2020x20x5/50-60			40,280	44,310	20	20	125	20	5	50-60	SHR205MT	SHL205MT	F6S418	BF04M	NY2.5
R/L 152S-2020x20x5/50-60N			31,520	34,680	20	20	125	20	5	50-60	SHR205MTN	SHL205MTN	F6S416	BF04N	T20
R/L 152S-2020x20x5/60-75			40,280	44,310	20	20	125	20	5	60-75	SHR205MT	SHL205MT	F6S418	BF04M	NY2.5
R/L 152S-2020x20x5/60-75N			31,520	34,680	20	20	125	20	5	60-75	SHR205MTN	SHL205MTN	F6S416	BF04N	T20
R/L 152S-2020x20x5/75-100	○		40,280	44,310	20	20	125	20	5	75-100	SHR205MT	SHL205MT	F6S418	BF04M	NY2.5
R/L 152S-2020x20x5/75-100N			31,520	34,680	20	20	125	20	5	75-100	SHR205MTN	SHL205MTN	F6S416	BF04N	T20
R/L 152S-2020x20x5/100-140			40,280	44,310	20	20	125	20	5	100-140	SHR205MT	SHL205MT	F6S418	BF04M	NY2.5
R/L 152S-2020x20x5/100-140N			31,520	34,680	20	20	125	20	5	100-140	SHR205MTN	SHL205MTN	F6S416	BF04N	T20
R/L 152S-2020x20x5/140-190			40,280	44,310	20	20	125	20	5	140-190	SHR205MT	SHL205MT	F6S418	BF04M	NY2.5
R/L 152S-2020x20x5/140-190N			31,520	34,680	20	20	125	20	5	140-190	SHR205MTN	SHL205MTN	F6S416	BF04N	T20
R/L 152S-2020x20x5/190-300			40,280	44,310	20	20	125	20	5	190-300	SHR205MT	SHL205MT	F6S418	BF04M	NY2.5
R/L 152S-2020x20x5/190-300N			31,520	34,680	20	20	125	20	5	190-300	SHR205MTN	SHL205MTN	F6S416	BF04N	T20
R/L 152S-2020x20x5/300-∞			40,280	44,310	20	20	125	20	5	300-∞	SHR205MT	SHL205MT	F6S418	BF04M	NY2.5
R/L 152S-2020x20x5/300-∞ N			31,520	34,680	20	20	125	20	5	300-∞	SHR205MTN	SHL205MTN	F6S416	BF04N	T20
R/L 152S-2525x12x5/30-40			41,260	45,430	25	25	150	12	5	30-40	SHR135P	SHL135P	F6S411	BF04M	NY2.5
R/L 152S-2525x12x5/30-40N			32,290	35,550	25	25	150	12	5	30-40	SHR135PN	SHL135PN	F6S412	BF04N	T20
R/L 152S-2525x12x5/40-50			41,260	45,430	25	25	150	12	5	40-50	SHR135	SHL135	F6S411	BF04M	NY2.5
R/L 152S-2525x12x5/40-50N			32,290	35,550	25	25	150	12	5	40-50	SHR135N	SHL135N	F6S412	BF04N	T20
R/L 152S-2525x12x5/50-60T			41,260	45,430	25	25	150	12	5	50-60	SHR135	SHL135	F6S411	BF04M	NY2.5
R/L 152S-2525x12x5/50-60N			32,290	35,550	25	25	150	12	5	50-60	SHR135N	SHL135N	F6S412	BF04N	T20
R/L 152S-2525x12x5/60-75T			41,260	45,430	25	25	150	12	5	60-75	SHR135	SHL135	F6S411	BF04M	NY2.5
R/L 152S-2525x12x5/60-75N			32,290	35,550	25	25	150	12	5	60-75	SHR135N	SHL135N	F6S412	BF04N	T20
R/L 152S-2525x12x5/75-100T			41,260	45,430	25	25	150	12	5	75-100	SHR135	SHL135	F6S411	BF04M	NY2.5
R/L 152S-2525x12x5/75-100N			32,290	35,550	25	25	150	12	5	75-100	SHR135N	SHL135N	F6S412	BF04N	T20
R/L 152S-2525x12x5/100-140T	○		41,260	45,430	25	25	150	12	5	100-140	SHR135	SHL135	F6S411	BF04M	NY2.5
R/L 152S-2525x12x5/100-140N			32,290	35,550	25	25	150	12	5	100-140	SHR135N	SHL135N	F6S412	BF04N	T20

152S 端面溝入れ 5mm



L152S
逆回転用



R152S
正回転用

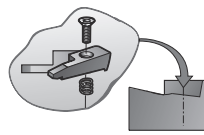
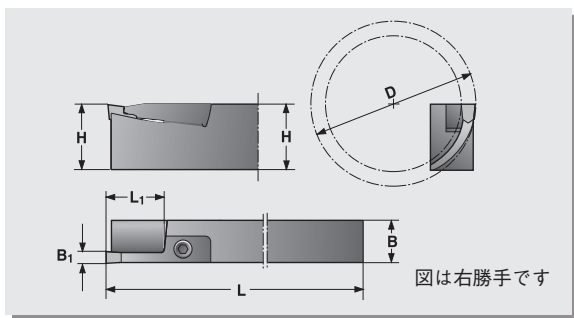
NEW カットピア (CUTPIA) による日本生まれの新しいホルダ (型番末尾 N)

- ・ミルコーナ製と同等以上の品質で、価格を抑えました。
- ・ミルコーナと互換性があり、ミルコーナ/カットピアインサートが使用可能。

適用インサート	型番 L152S R152S 型番末尾 N : CUTPIA	在庫	単価		寸法 (mm)					クランプ		クランプ スクリュー	スプリング	レンチ
			R 右勝手	L 左勝手	H	B	L	L ₁	B ₁	D	R152S 用 SHR			

インサート幅 5.0 (5.1) mm 加工径φ30 以上

R/L 152S-2525x12x5/140-190T		41,260	45,430	25	25	150	12	5	140-190	SHR135	SHL135	F6S411	BF04M	NY2.5
R/L 152S-2525x12x5/140-190N		32,290	35,550	25	25	150	12	5	140-190	SHR135N	SHL135N	FTS412	BF04N	T20
R/L 152S-2525x12x5/190-∞ T	○	41,260	45,430	25	25	150	12	5	190-∞	SHR135	SHL135	F6S411	BF04M	NY2.5
R/L 152S-2525x12x5/190-∞ N	○	32,290	35,550	25	25	150	12	5	190-∞	SHR135N	SHL135N	FTS412	BF04N	T20
R/L 152S-2525x20x5/30-40	○	44,590	49,170	25	25	150	20	5	30-40	SHR205MP	SHL205MP	F6S418	BF04M	NY2.5
R/L 152S-2525x20x5/30-40N	○	34,900	38,480	25	25	150	20	5	30-40	SHR205MPN	SHL205MPN	FTS416	BF04N	T20
R/L 152S-2525x20x5/40-50	◎	44,590	49,170	25	25	150	20	5	40-50	SHR205MT	SHL205MT	F6S418	BF04M	NY2.5
R/L 152S-2525x20x5/40-50N	○	34,900	38,480	25	25	150	20	5	40-50	SHR205MTN	SHL205MTN	FTS416	BF04N	T20
R/L 152S-2525x20x5/50-60	○	44,590	49,170	25	25	150	20	5	50-60	SHR205MT	SHL205MT	F6S418	BF04M	NY2.5
R/L 152S-2525x20x5/50-60N		34,900	38,480	25	25	150	20	5	50-60	SHR205MTN	SHL205MTN	FTS416	BF04N	T20
R/L 152S-2525x20x5/60-75	○	44,590	49,170	25	25	150	20	5	60-75	SHR205MT	SHL205MT	F6S418	BF04M	NY2.5
R/L 152S-2525x20x5/60-75N		34,900	38,480	25	25	150	20	5	60-75	SHR205MTN	SHL205MTN	FTS416	BF04N	T20
R/L 152S-2525x20x5/75-100	○	44,590	49,170	25	25	150	20	5	75-100	SHR205MT	SHL205MT	F6S418	BF04M	NY2.5
R/L 152S-2525x20x5/75-100N		34,900	38,480	25	25	150	20	5	75-100	SHR205MTN	SHL205MTN	FTS416	BF04N	T20
R/L 152S-2525x20x5/100-140	○	44,590	49,170	25	25	150	20	5	100-140	SHR205MT	SHL205MT	F6S418	BF04M	NY2.5
R/L 152S-2525x20x5/100-140N		34,900	38,480	25	25	150	20	5	100-140	SHR205MTN	SHL205MTN	FTS416	BF04N	T20
R/L 152S-2525x20x5/140-190	○	44,590	49,170	25	25	150	20	5	140-190	SHR205MT	SHL205MT	F6S418	BF04M	NY2.5
R/L 152S-2525x20x5/140-190N	○	34,900	38,480	25	25	150	20	5	140-190	SHR205MTN	SHL205MTN	FTS416	BF04N	T20
R/L 152S-2525x20x5/190-300	○	44,590	49,170	25	25	150	20	5	190-300	SHR205MT	SHL205MT	F6S418	BF04M	NY2.5
R/L 152S-2525x20x5/190-300N		34,900	38,480	25	25	150	20	5	190-300	SHR205MTN	SHL205MTN	FTS416	BF04N	T20
R/L 152S-2525x20x5/300-∞	○	44,590	49,170	25	25	150	20	5	300-∞	SHR205MT	SHL205MT	F6S418	BF04M	NY2.5
R/L 152S-2525x20x5/300-∞ N		34,900	38,480	25	25	150	20	5	300-∞	SHR205MTN	SHL205MTN	FTS416	BF04N	T20
5 R/L 152S-2525x25x5/50-60	○	45,830	50,420	25	25	150	25	5	50-60	SHR255MT	SHL255MT	F6S418	BF04M	NY2.5
R/L 152S-2525x25x5/50-60N		35,870	39,460	25	25	150	25	5	50-60	SHR255MTN	SHL255MTN	FTS416	BF04N	T20
R/L 152S-2525x25x5/60-75	○	45,830	50,420	25	25	150	25	5	60-75	SHR255MT	SHL255MT	F6S418	BF04M	NY2.5
R/L 152S-2525x25x5/60-75N		35,870	39,460	25	25	150	25	5	60-75	SHR255MTN	SHL255MTN	FTS416	BF04N	T20
R/L 152S-2525x25x5/75-100	○	45,830	50,420	25	25	150	25	5	75-100	SHR255MT	SHL255MT	F6S418	BF04M	NY2.5
R/L 152S-2525x25x5/75-100N	○	35,870	39,460	25	25	150	25	5	75-100	SHR255MTN	SHL255MTN	FTS416	BF04N	T20
R/L 152S-2525x25x5/100-140	○	45,830	50,420	25	25	150	25	5	100-140	SHR255MT	SHL255MT	F6S418	BF04M	NY2.5
R/L 152S-2525x25x5/100-140N		35,870	39,460	25	25	150	25	5	100-140	SHR255MTN	SHL255MTN	FTS416	BF04N	T20
R/L 152S-2525x25x5/140-190	○	45,830	50,420	25	25	150	25	5	140-190	SHR255MT	SHL255MT	F6S418	BF04M	NY2.5
R/L 152S-2525x25x5/140-190N		35,870	39,460	25	25	150	25	5	140-190	SHR255MTN	SHL255MTN	FTS416	BF04N	T20
R/L 152S-2525x25x5/190-300	◎	45,830	50,420	25	25	150	25	5	190-300	SHR255MT	SHL255MT	F6S418	BF04M	NY2.5
R/L 152S-2525x25x5/190-300N	◎	35,870	39,460	25	25	150	25	5	190-300	SHR255MTN	SHL255MTN	FTS416	BF04N	T20
R/L 152S-2525x25x5/300-∞	○	45,830	50,420	25	25	150	25	5	300-∞	SHR255MT	SHL255MT	F6S418	BF04M	NY2.5
R/L 152S-2525x25x5/300-∞ N		35,870	39,460	25	25	150	25	5	300-∞	SHR255MTN	SHL255MTN	FTS416	BF04N	T20
R/L 152S-3225x12x5/40-50		43,200	47,650	32	25	170	12	5	40-50	SHR135	SHL135	F6S411	-	NY2.5
R/L 152S-3225x12x5/40-50N		33,810	37,290	32	25	170	12	5	40-50	SHR135N	SHL135N	FTS412	-	T20
R/L 152S-3225x12x5/50-60T		43,200	47,650	32	25	170	12	5	50-60	SHR135	SHL135	F6S411	-	NY2.5
R/L 152S-3225x12x5/50-60N		33,810	37,290	32	25	170	12	5	50-60	SHR135N	SHL135N	FTS412	-	T20
R/L 152S-3225x12x5/60-75T		43,200	47,650	32	25	170	12	5	60-75	SHR135	SHL135	F6S411	-	NY2.5
R/L 152S-3225x12x5/60-75N		33,810	37,290	32	25	170	12	5	60-75	SHR135N	SHL135N	FTS412	-	T20
R/L 152S-3225x12x5/75-100T		43,200	47,650	32	25	170	12	5	75-100	SHR135	SHL135	F6S411	-	NY2.5
R/L 152S-3225x12x5/75-100N		33,810	37,290	32	25	170	12	5	75-100	SHR135N	SHL135N	FTS412	-	T20
R/L 152S-3225x12x5/100-140T		43,200	47,650	32	25	170	12	5	100-140	SHR135	SHL135	F6S411	-	NY2.5
R/L 152S-3225x12x5/100-140N		33,810	37,290	32	25	170	12	5	100-140	SHR135N	SHL135N	FTS412	-	T20

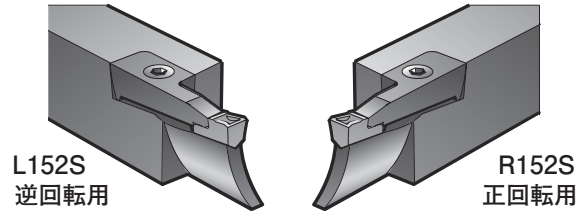


レンチ以外のパーツはホルダに付属
しています。

適用 インサート	型番		在庫	単価		寸法 (mm)						クランプ		クランプ スクリュー	スプリング	レンチ
	L152S	R152S		R	L	H	B	L	L ₁	B ₁	D	R152S 用 SHR	L152S 用 SHL			
	型番末尾 N : CUTPIA			右勝手	左勝手											
5	R/L 152S-3225x12x5/140-190T			43,200	47,650	32	25	170	12	5	140-190	SHR135	SHL135	F6S411	-	NY2.5
	R/L 152S-3225x12x5/140-190N			33,810	37,290	32	25	170	12	5	140-190	SHR135N	SHL135N	F6S412	-	T20
	R/L 152S-3225x12x5/190-∞T			43,200	47,650	32	25	170	12	5	190-∞	SHR135	SHL135	F6S411	-	NY2.5
	R/L 152S-3225x12x5/190-∞N			33,810	37,290	32	25	170	12	5	190-∞	SHR135N	SHL135N	F6S412	-	T20
	R/L 152S-3225x20x5/40-50			45,830	50,420	32	25	170	20	5	40-50	SHR205MT	SHL205MT	F6S418	BF04M	NY2.5
	R/L 152S-3225x20x5/40-50N			35,870	39,460	32	25	170	20	5	40-50	SHR205MTN	SHL205MTN	F6S416	BF04N	T20
	R/L 152S-3225x20x5/50-60			45,830	50,420	32	25	170	20	5	50-60	SHR205MT	SHL205MT	F6S418	BF04M	NY2.5
	R/L 152S-3225x20x5/50-60N			35,870	39,460	32	25	170	20	5	50-60	SHR205MTN	SHL205MTN	F6S416	BF04N	T20
	R/L 152S-3225x20x5/60-75			45,830	50,420	32	25	170	20	5	60-75	SHR205MT	SHL205MT	F6S418	BF04M	NY2.5
	R/L 152S-3225x20x5/60-75N			35,870	39,460	32	25	170	20	5	60-75	SHR205MTN	SHL205MTN	F6S416	BF04N	T20
	R/L 152S-3225x20x5/75-100			45,830	50,420	32	25	170	20	5	75-100	SHR205MT	SHL205MT	F6S418	BF04M	NY2.5
	R/L 152S-3225x20x5/75-100N			35,870	39,460	32	25	170	20	5	75-100	SHR205MTN	SHL205MTN	F6S416	BF04N	T20
	R/L 152S-3225x20x5/100-140			45,830	50,420	32	25	170	20	5	100-140	SHR205MT	SHL205MT	F6S418	BF04M	NY2.5
	R/L 152S-3225x20x5/100-140N			35,870	39,460	32	25	170	20	5	100-140	SHR205MTN	SHL205MTN	F6S416	BF04N	T20
	R/L 152S-3225x20x5/140-190			45,830	50,420	32	25	170	20	5	140-190	SHR205MT	SHL205MT	F6S418	BF04M	NY2.5
	R/L 152S-3225x20x5/140-190N			35,870	39,460	32	25	170	20	5	140-190	SHR205MTN	SHL205MTN	F6S416	BF04N	T20
	R/L 152S-3225x20x5/190-300			45,830	50,420	32	25	170	20	5	190-300	SHR205MT	SHL205MT	F6S418	BF04M	NY2.5
	R/L 152S-3225x20x5/190-300N			35,870	39,460	32	25	170	20	5	190-300	SHR205MTN	SHL205MTN	F6S416	BF04N	T20
	R/L 152S-3225x20x5/300-∞	○		45,830	50,420	32	25	170	20	5	300-∞	SHR205MT	SHL205MT	F6S418	BF04M	NY2.5
	R/L 152S-3225x20x5/300-∞N			35,870	39,460	32	25	170	20	5	300-∞	SHR205MTN	SHL205MTN	F6S416	BF04N	T20
	R/L 152S-3225x25x5/50-60			46,950	51,540	32	25	170	25	5	50-60	SHR255MT	SHL255MT	F6S418	BF04M	NY2.5
	R/L 152S-3225x25x5/50-60N			36,740	40,330	32	25	170	25	5	50-60	SHR255MTN	SHL255MTN	F6S416	BF04N	T20
	R/L 152S-3225x25x5/60-75			46,950	51,540	32	25	170	25	5	60-75	SHR255MT	SHL255MT	F6S418	BF04M	NY2.5
	R/L 152S-3225x25x5/60-75N			36,740	40,330	32	25	170	25	5	60-75	SHR255MTN	SHL255MTN	F6S416	BF04N	T20
	R/L 152S-3225x25x5/75-100			46,950	51,540	32	25	170	25	5	75-100	SHR255MT	SHL255MT	F6S418	BF04M	NY2.5
	R/L 152S-3225x25x5/75-100N			36,740	40,330	32	25	170	25	5	75-100	SHR255MTN	SHL255MTN	F6S416	BF04N	T20
	R/L 152S-3225x25x5/100-140			46,950	51,540	32	25	170	25	5	100-140	SHR255MT	SHL255MT	F6S418	BF04M	NY2.5
	R/L 152S-3225x25x5/100-140N			36,740	40,330	32	25	170	25	5	100-140	SHR255MTN	SHL255MTN	F6S416	BF04N	T20
	R/L 152S-3225x25x5/140-190			46,950	51,540	32	25	170	25	5	140-190	SHR255MT	SHL255MT	F6S418	BF04M	NY2.5
	R/L 152S-3225x25x5/140-190N			36,740	40,330	32	25	170	25	5	140-190	SHR255MTN	SHL255MTN	F6S416	BF04N	T20
	R/L 152S-3225x25x5/190-300			46,950	51,540	32	25	170	25	5	190-300	SHR255MT	SHL255MT	F6S418	BF04M	NY2.5
	R/L 152S-3225x25x5/190-300N			36,740	40,330	32	25	170	25	5	190-300	SHR255MTN	SHL255MTN	F6S416	BF04N	T20
	R/L 152S-3225x25x5/300-∞	○		46,950	51,540	32	25	170	25	5	300-∞	SHR255MT	SHL255MT	F6S418	BF04M	NY2.5
	R/L 152S-3225x25x5/300-∞N	○		36,740	40,330	32	25	170	25	5	300-∞	SHR255MTN	SHL255MTN	F6S416	BF04N	T20

◎ : 左右両勝手在庫 ○ : 右勝手のみ在庫 空欄 : メーカー (海外) または受注生産

152S 端面溝入れ 6mm



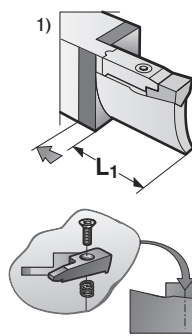
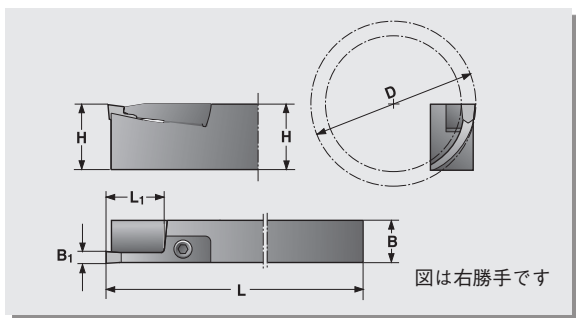
NEW カットピア (CUTPIA) による日本生まれの新しいホルダ (型番末尾 N)

- ・ミルコーナ製と同等以上の品質で、価格を抑えました。
- ・ミルコーナと互換性があり、ミルコーナ/カットピアインサートが使用可能。

適用インサート	型番 L152S R152S 型番末尾 N : CUTPIA	在庫	単価		寸法 (mm)					クランプ		クランプ スクリュー	スプリング	レンチ
			R 右勝手	L 左勝手	H	B	L	L ₁	B ₁	D	R152S 用 SHR			

インサート幅 6.0 (6.1) mm 加工径φ40以上

R/L 152S-2020x12x6/40-50	38,060	41,950	20	20	125	12	6-7.5	40-50	SHR136	SHL136	F6S411	-	NY2.5
R/L 152S-2020x12x6/40-50N	29,790	32,830	20	20	125	12	6-7.5	40-50	SHR136N	SHL136N	F6S412	-	T20
R/L 152S-2020x12x6/50-60T	38,060	41,950	20	20	125	12	6-7.5	50-60	SHR136	SHL136	F6S411	-	NY2.5
R/L 152S-2020x12x6/50-60N	29,790	32,830	20	20	125	12	6-7.5	50-60	SHR136N	SHL136N	F6S412	-	T20
R/L 152S-2020x12x6/60-75T	38,060	41,950	20	20	125	12	6-7.5	60-75	SHR136	SHL136	F6S411	-	NY2.5
R/L 152S-2020x12x6/60-75N	29,790	32,830	20	20	125	12	6-7.5	60-75	SHR136N	SHL136N	F6S412	-	T20
R/L 152S-2020x12x6/75-100T	38,060	41,950	20	20	125	12	6-7.5	75-100	SHR136	SHL136	F6S411	-	NY2.5
R/L 152S-2020x12x6/75-100N	29,790	32,830	20	20	125	12	6-7.5	75-100	SHR136N	SHL136N	F6S412	-	T20
R/L 152S-2020x12x6/100-140T	38,060	41,950	20	20	125	12	6-7.5	100-140	SHR136	SHL136	F6S411	-	NY2.5
R/L 152S-2020x12x6/100-140N	29,790	32,830	20	20	125	12	6-7.5	100-140	SHR136N	SHL136N	F6S412	-	T20
R/L 152S-2020x12x6/140-190T	38,060	41,950	20	20	125	12	6-7.5	140-190	SHR136	SHL136	F6S411	-	NY2.5
R/L 152S-2020x12x6/140-190N	29,790	32,830	20	20	125	12	6-7.5	140-190	SHR136N	SHL136N	F6S412	-	T20
R/L 152S-2020x12x6/190-∞ T	38,060	41,950	20	20	125	12	6-7.5	190-∞	SHR136	SHL136	F6S411	-	NY2.5
R/L 152S-2020x12x6/190-∞ N	29,790	32,830	20	20	125	12	6-7.5	190-∞	SHR136N	SHL136N	F6S412	-	T20
R/L 152S-2020x20x6/40-50	40,280	44,310	20	20	125	20	6-7.5	40-50	SHR206MT	SHL206MT	F6S418	BF04M	NY2.5
R/L 152S-2020x20x6/40-50N	31,520	34,680	20	20	125	20	6-7.5	40-50	SHR206MTN	SHL206MTN	F6S416	BF04N	T20
R/L 152S-2020x20x6/50-60	40,280	44,310	20	20	125	20	6-7.5	50-60	SHR206MT	SHL206MT	F6S418	BF04M	NY2.5
R/L 152S-2020x20x6/50-60N	31,520	34,680	20	20	125	20	6-7.5	50-60	SHR206MTN	SHL206MTN	F6S416	BF04N	T20
R/L 152S-2020x20x6/60-75	40,280	44,310	20	20	125	20	6-7.5	60-75	SHR206MT	SHL206MT	F6S418	BF04M	NY2.5
R/L 152S-2020x20x6/60-75N	31,520	34,680	20	20	125	20	6-7.5	60-75	SHR206MTN	SHL206MTN	F6S416	BF04N	T20
R/L 152S-2020x20x6/75-100	40,280	44,310	20	20	125	20	6-7.5	75-100	SHR206MT	SHL206MT	F6S418	BF04M	NY2.5
R/L 152S-2020x20x6/75-100N	31,520	34,680	20	20	125	20	6-7.5	75-100	SHR206MTN	SHL206MTN	F6S416	BF04N	T20
6 R/L 152S-2020x20x6/100-140	40,280	44,310	20	20	125	20	6-7.5	100-140	SHR206MT	SHL206MT	F6S418	BF04M	NY2.5
R/L 152S-2020x20x6/100-140N	31,520	34,680	20	20	125	20	6-7.5	100-140	SHR206MTN	SHL206MTN	F6S416	BF04N	T20
R/L 152S-2020x20x6/140-190	40,280	44,310	20	20	125	20	6-7.5	140-190	SHR206MT	SHL206MT	F6S418	BF04M	NY2.5
R/L 152S-2020x20x6/140-190N	31,520	34,680	20	20	125	20	6-7.5	140-190	SHR206MTN	SHL206MTN	F6S416	BF04N	T20
R/L 152S-2020x20x6/190-300	40,280	44,310	20	20	125	20	6-7.5	190-300	SHR206MT	SHL206MT	F6S418	BF04M	NY2.5
R/L 152S-2020x20x6/190-300N	31,520	34,680	20	20	125	20	6-7.5	190-300	SHR206MTN	SHL206MTN	F6S416	BF04N	T20
R/L 152S-2020x20x6/300-∞	40,280	44,310	20	20	125	20	6-7.5	300-∞	SHR206MT	SHL206MT	F6S418	BF04M	NY2.5
R/L 152S-2020x20x6/300-∞ N	31,520	34,680	20	20	125	20	6-7.5	300-∞	SHR206MTN	SHL206MTN	F6S416	BF04N	T20
R/L 152S-2525x12x6/40-50	41,260	45,430	25	25	150	12	6-7.5	40-50	SHR136	SHL136	F6S411	-	NY2.5
R/L 152S-2525x12x6/40-50N	32,290	35,550	25	25	150	12	6-7.5	40-50	SHR136N	SHL136N	F6S412	-	T20
R/L 152S-2525x12x6/50-60T	41,260	45,430	25	25	150	12	6-7.5	50-60	SHR136	SHL136	F6S411	-	NY2.5
R/L 152S-2525x12x6/50-60N	32,290	35,550	25	25	150	12	6-7.5	50-60	SHR136N	SHL136N	F6S412	-	T20
R/L 152S-2525x12x6/60-75T	41,260	45,430	25	25	150	12	6-7.5	60-75	SHR136	SHL136	F6S411	-	NY2.5
R/L 152S-2525x12x6/60-75N	32,290	35,550	25	25	150	12	6-7.5	60-75	SHR136N	SHL136N	F6S412	-	T20
R/L 152S-2525x12x6/75-100T	○ 41,260	45,430	25	25	150	12	6-7.5	75-100	SHR136	SHL136	F6S411	-	NY2.5
R/L 152S-2525x12x6/75-100N	32,290	35,550	25	25	150	12	6-7.5	75-100	SHR136N	SHL136N	F6S412	-	T20
R/L 152S-2525x12x6/100-140T	41,260	45,430	25	25	150	12	6-7.5	100-140	SHR136	SHL136	F6S411	-	NY2.5
R/L 152S-2525x12x6/100-140N	32,290	35,550	25	25	150	12	6-7.5	100-140	SHR136N	SHL136N	F6S412	-	T20
R/L 152S-2525x12x6/140-190T	41,260	45,430	25	25	150	12	6-7.5	140-190	SHR136	SHL136	F6S411	-	NY2.5
R/L 152S-2525x12x6/140-190N	32,290	35,550	25	25	150	12	6-7.5	140-190	SHR136N	SHL136N	F6S412	-	T20
R/L 152S-2525x12x6/190-∞ T	41,260	45,430	25	25	150	12	6-7.5	190-∞	SHR136	SHL136	F6S411	-	NY2.5
R/L 152S-2525x12x6/190-∞ N	32,290	35,550	25	25	150	12	6-7.5	190-∞	SHR136N	SHL136N	F6S412	-	T20
R/L 152S-2525x20x6/40-50	○ 44,590	49,170	25	25	150	20	6-7.5	40-50	SHR206MT	SHL206MT	F6S418	BF04M	NY2.5
R/L 152S-2525x20x6/40-50N	34,900	38,480	25	25	150	20	6-7.5	40-50	SHR206MTN	SHL206MTN	F6S416	BF04N	T20



1) ホルダを修正することにより、より深い切込が可能です。

レンチ以外のパーツはホルダに付属しています。

適用インサート	型番 L152S R152S 型番末尾 N : CUTPIA	在庫	単価		寸法 (mm)					クランプ		クランプ スクリュー	スプリング	レンチ	
			R 右勝手	L 左勝手	H	B	L	L ₁	B ₁	D	R152S 用 SHR				L152S 用 SHL
			○	○	○	○	○	○	○	○	○				○
6	R/L 152S-2525x20x6/50-60	○	44,590	49,170	25	25	150	20	6-7.5	50-60	SHR206MT	SHL206MT	F6S418	BF04M	NY2.5
	R/L 152S-2525x20x6/50-60N		34,900	38,480	25	25	150	20	6-7.5	50-60	SHR206MTN	SHL206MTN	F6S416	BF04N	T20
	R/L 152S-2525x20x6/60-75	○	44,590	49,170	25	25	150	20	6-7.5	60-75	SHR206MT	SHL206MT	F6S418	BF04M	NY2.5
	R/L 152S-2525x20x6/60-75N		34,900	38,480	25	25	150	20	6-7.5	60-75	SHR206MTN	SHL206MTN	F6S416	BF04N	T20
	R/L 152S-2525x20x6/75-100	○	44,590	49,170	25	25	150	20	6-7.5	75-100	SHR206MT	SHL206MT	F6S418	BF04M	NY2.5
	R/L 152S-2525x20x6/75-100N	○	34,900	38,480	25	25	150	20	6-7.5	75-100	SHR206MTN	SHL206MTN	F6S416	BF04N	T20
	R/L 152S-2525x20x6/100-140	◎	44,590	49,170	25	25	150	20	6-7.5	100-140	SHR206MT	SHL206MT	F6S418	BF04M	NY2.5
	R/L 152S-2525x20x6/100-140N		34,900	38,480	25	25	150	20	6-7.5	100-140	SHR206MTN	SHL206MTN	F6S416	BF04N	T20
	R/L 152S-2525x20x6/140-190	○	44,590	49,170	25	25	150	20	6-7.5	140-190	SHR206MT	SHL206MT	F6S418	BF04M	NY2.5
	R/L 152S-2525x20x6/140-190N		34,900	38,480	25	25	150	20	6-7.5	140-190	SHR206MTN	SHL206MTN	F6S416	BF04N	T20
	R/L 152S-2525x20x6/190-300	○	44,590	49,170	25	25	150	20	6-7.5	190-300	SHR206MT	SHL206MT	F6S418	BF04M	NY2.5
	R/L 152S-2525x20x6/190-300N		34,900	38,480	25	25	150	20	6-7.5	190-300	SHR206MTN	SHL206MTN	F6S416	BF04N	T20
	R/L 152S-2525x20x6/300-∞	○	44,590	49,170	25	25	150	20	6-7.5	300-∞	SHR206MT	SHL206MT	F6S418	BF04M	NY2.5
	R/L 152S-2525x20x6/300-∞ N		34,900	38,480	25	25	150	20	6-7.5	300-∞	SHR206MTN	SHL206MTN	F6S416	BF04N	T20
	R/L 152S-2525x25x6/50-60		45,830	50,420	25	25	150	25	6-7.5	50-60	SHR256MT	SHL256MT	F6S418	BF04M	NY2.5
	R/L 152S-2525x25x6/50-60N		35,870	39,460	25	25	150	25	6-7.5	50-60	SHR256MTN	SHL256MTN	F6S416	BF04N	T20
	R/L 152S-2525x25x6/60-75		45,830	50,420	25	25	150	25	6-7.5	60-75	SHR256MT	SHL256MT	F6S418	BF04M	NY2.5
	R/L 152S-2525x25x6/60-75N	○	35,870	39,460	25	25	150	25	6-7.5	60-75	SHR256MTN	SHL256MTN	F6S416	BF04N	T20
	R/L 152S-2525x25x6/75-100	○	45,830	50,420	25	25	150	25	6-7.5	75-100	SHR256MT	SHL256MT	F6S418	BF04M	NY2.5
	R/L 152S-2525x25x6/75-100N		35,870	39,460	25	25	150	25	6-7.5	75-100	SHR256MTN	SHL256MTN	F6S416	BF04N	T20
	R/L 152S-2525x25x6/100-140	○	45,830	50,420	25	25	150	25	6-7.5	100-140	SHR256MT	SHL256MT	F6S418	BF04M	NY2.5
	R/L 152S-2525x25x6/100-140N		35,870	39,460	25	25	150	25	6-7.5	100-140	SHR256MTN	SHL256MTN	F6S416	BF04N	T20
	R/L 152S-2525x25x6/140-190		45,830	50,420	25	25	150	25	6-7.5	140-190	SHR256MT	SHL256MT	F6S418	BF04M	NY2.5
	R/L 152S-2525x25x6/140-190N		35,870	39,460	25	25	150	25	6-7.5	140-190	SHR256MTN	SHL256MTN	F6S416	BF04N	T20
	R/L 152S-2525x25x6/190-300		45,830	50,420	25	25	150	25	6-7.5	190-300	SHR256MT	SHL256MT	F6S418	BF04M	NY2.5
	R/L 152S-2525x25x6/190-300N		35,870	39,460	25	25	150	25	6-7.5	190-300	SHR256MTN	SHL256MTN	F6S416	BF04N	T20
	R/L 152S-2525x25x6/300-∞		45,830	50,420	25	25	150	25	6-7.5	300-∞	SHR256MT	SHL256MT	F6S418	BF04M	NY2.5
	R/L 152S-2525x25x6/300-∞ N		35,870	39,460	25	25	150	25	6-7.5	300-∞	SHR256MTN	SHL256MTN	F6S416	BF04N	T20
	R/L 152S-3225x12x6/40-50		43,200	47,650	32	25	170	12	6-7.5	40-50	SHR136	SHL136	F6S411	-	NY2.5
	R/L 152S-3225x12x6/40-50N		33,810	37,290	32	25	170	12	6-7.5	40-50	SHR136N	SHL136N	F6S412	-	T20
	R/L 152S-3225x12x6/50-60T		43,200	47,650	32	25	170	12	6-7.5	50-60	SHR136	SHL136	F6S411	-	NY2.5
	R/L 152S-3225x12x6/50-60N		33,810	37,290	32	25	170	12	6-7.5	50-60	SHR136N	SHL136N	F6S412	-	T20
	R/L 152S-3225x12x6/60-75T		43,200	47,650	32	25	170	12	6-7.5	60-75	SHR136	SHL136	F6S411	-	NY2.5
	R/L 152S-3225x12x6/60-75N		33,810	37,290	32	25	170	12	6-7.5	60-75	SHR136N	SHL136N	F6S412	-	T20
	R/L 152S-3225x12x6/75-100T		43,200	47,650	32	25	170	12	6-7.5	75-100	SHR136	SHL136	F6S411	-	NY2.5
	R/L 152S-3225x12x6/75-100N		33,810	37,290	32	25	170	12	6-7.5	75-100	SHR136N	SHL136N	F6S412	-	T20
	R/L 152S-3225x12x6/100-140T		43,200	47,650	32	25	170	12	6-7.5	100-140	SHR136	SHL136	F6S411	-	NY2.5
	R/L 152S-3225x12x6/100-140N		33,810	37,290	32	25	170	12	6-7.5	100-140	SHR136N	SHL136N	F6S412	-	T20
	R/L 152S-3225x12x6/140-190T		43,200	47,650	32	25	170	12	6-7.5	140-190	SHR136	SHL136	F6S411	-	NY2.5
	R/L 152S-3225x12x6/140-190N		33,810	37,290	32	25	170	12	6-7.5	140-190	SHR136N	SHL136N	F6S412	-	T20
	R/L 152S-3225x12x6/190-∞ T		43,200	47,650	32	25	170	12	6-7.5	190-∞	SHR136	SHL136	F6S411	-	NY2.5
	R/L 152S-3225x12x6/190-∞ N		33,810	37,290	32	25	170	12	6-7.5	190-∞	SHR136N	SHL136N	F6S412	-	T20
	R/L 152S-3225x20x6/40-50		45,830	-	32	25	170	20	6-7.5	40-50	SHR206MT	SHL206MT	F6S418	BF04M	NY2.5
	R/L 152S-3225x20x6/40-50N		35,870	-	32	25	170	20	6-7.5	40-50	SHR206MTN	SHL206MTN	F6S416	BF04N	T20
	R/L 152S-3225x20x6/50-60		45,830	50,420	32	25	170	20	6-7.5	50-60	SHR206MT	SHL206MT	F6S418	BF04M	NY2.5
	R/L 152S-3225x20x6/50-60N		35,870	39,460	32	25	170	20	6-7.5	50-60	SHR206MTN	SHL206MTN	F6S416	BF04N	T20
	R/L 152S-3225x20x6/60-75		45,830	50,420	32	25	170	20	6-7.5	60-75	SHR206MT	SHL206MT	F6S418	BF04M	NY2.5
	R/L 152S-3225x20x6/60-75N		35,870	39,460	32	25	170	20	6-7.5	60-75	SHR206MTN	SHL206MTN	F6S416	BF04N	T20

◎ : 左右両勝手在庫 ○ : 右勝手のみ在庫 空欄 : メーカー (海外) または受注生産

外径溝入れ

突切り

端面溝入れ

内径溝入れ

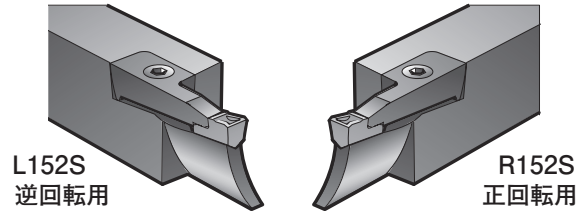
ヌスミ溝入れ

インサート

切削条件表

自動盤工具

152S 端面溝入れ 6-8mm



NEW カットピア (CUTPIA) による日本生まれの新しいホルダ (型番末尾 N)

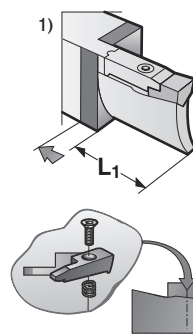
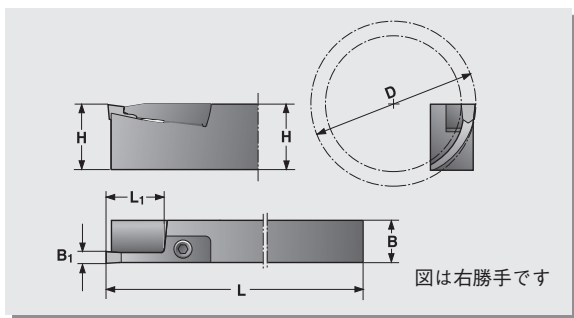
- ・ミルコーナ製と同等以上の品質で、価格を抑えました。
- ・ミルコーナと互換性があり、ミルコーナ/カットピアインサートが使用可能。

適用インサート	型番 L152S R152S 型番末尾 N : CUTPIA	在庫	単価		寸法 (mm)						クランプ		クランプ スクリュー	スプリング	レンチ
			R 右勝手	L 左勝手	H	B	L	L1	B1	D	R152S 用 SHR	L152S 用 SHL			

インサート幅 6.0 (6.1) mm 加工径φ40以上

R/L 152S-3225x20x6/75-100	○	45,830	50,420	32	25	170	20	6-7.5	75-100	SHR206MT	SHL206MT	F6S418	BF04M	NY2.5
R/L 152S-3225x20x6/75-100N		35,870	39,460	32	25	170	20	6-7.5	75-100	SHR206MTN	SHL206MTN	F6S416	BF04N	T20
R/L 152S-3225x20x6/100-140		45,830	50,420	32	25	170	20	6-7.5	100-140	SHR206MT	SHL206MT	F6S418	BF04M	NY2.5
R/L 152S-3225x20x6/100-140N		35,870	39,460	32	25	170	20	6-7.5	100-140	SHR206MTN	SHL206MTN	F6S416	BF04N	T20
R/L 152S-3225x20x6/140-190		45,830	50,420	32	25	170	20	6-7.5	140-190	SHR206MT	SHL206MT	F6S418	BF04M	NY2.5
R/L 152S-3225x20x6/140-190N		35,870	39,460	32	25	170	20	6-7.5	140-190	SHR206MTN	SHL206MTN	F6S416	BF04N	T20
R/L 152S-3225x20x6/190-300		45,830	50,420	32	25	170	20	6-7.5	190-300	SHR206MT	SHL206MT	F6S418	BF04M	NY2.5
R/L 152S-3225x20x6/190-300N		35,870	39,460	32	25	170	20	6-7.5	190-300	SHR206MTN	SHL206MTN	F6S416	BF04N	T20
R/L 152S-3225x20x6/300-∞	○	45,830	50,420	32	25	170	20	6-7.5	300-∞	SHR206MT	SHL206MT	F6S418	BF04M	NY2.5
R/L 152S-3225x20x6/300-∞ N		35,870	39,460	32	25	170	20	6-7.5	300-∞	SHR206MTN	SHL206MTN	F6S416	BF04N	T20
R/L 152S-3225x25x6/50-60		46,950	51,540	32	25	170	25	6-7.5	50-60	SHR256MT	SHL256MT	F6S418	BF04M	NY2.5
R/L 152S-3225x25x6/50-60N		36,740	40,330	32	25	170	25	6-7.5	50-60	SHR256MTN	SHL256MTN	F6S416	BF04N	T20
R/L 152S-3225x25x6/60-75		46,950	51,540	32	25	170	25	6-7.5	60-75	SHR256MT	SHL256MT	F6S418	BF04M	NY2.5
R/L 152S-3225x25x6/60-75N		36,740	40,330	32	25	170	25	6-7.5	60-75	SHR256MTN	SHL256MTN	F6S416	BF04N	T20
R/L 152S-3225x25x6/75-100		46,950	51,540	32	25	170	25	6-7.5	75-100	SHR256MT	SHL256MT	F6S418	BF04M	NY2.5
R/L 152S-3225x25x6/75-100N		36,740	40,330	32	25	170	25	6-7.5	75-100	SHR256MTN	SHL256MTN	F6S416	BF04N	T20
R/L 152S-3225x25x6/100-140		46,950	51,540	32	25	170	25	6-7.5	100-140	SHR256MT	SHL256MT	F6S418	BF04M	NY2.5
R/L 152S-3225x25x6/100-140N		36,740	40,330	32	25	170	25	6-7.5	100-140	SHR256MTN	SHL256MTN	F6S416	BF04N	T20
R/L 152S-3225x25x6/140-190		46,950	51,540	32	25	170	25	6-7.5	140-190	SHR256MT	SHL256MT	F6S418	BF04M	NY2.5
R/L 152S-3225x25x6/140-190N		36,740	40,330	32	25	170	25	6-7.5	140-190	SHR256MTN	SHL256MTN	F6S416	BF04N	T20
R/L 152S-3225x25x6/190-300		46,950	51,540	32	25	170	25	6-7.5	190-300	SHR256MT	SHL256MT	F6S418	BF04M	NY2.5
R/L 152S-3225x25x6/190-300N		36,740	40,330	32	25	170	25	6-7.5	190-300	SHR256MTN	SHL256MTN	F6S416	BF04N	T20
R/L 152S-3225x25x6/300-∞		46,950	51,540	32	25	170	25	6-7.5	300-∞	SHR256MT	SHL256MT	F6S418	BF04M	NY2.5
R/L 152S-3225x25x6/300-∞ N		36,740	40,330	32	25	170	25	6-7.5	300-∞	SHR256MTN	SHL256MTN	F6S416	BF04N	T20
R/L 152S-3225x32x6/50-60	○	48,200	53,050	32	25	170	32	6-7.5	50-60	SHR326MT	SHL326MT	F6S519	BF05M	NY3
R/L 152S-3225x32x6/50-60N		37,720	41,520	32	25	170	32	6-7.5	50-60	SHR326MTN	SHL326MTN	F6S518	BF05N	T25
R/L 152S-3225x32x6/60-75	○	48,200	53,050	32	25	170	32	6-7.5	60-75	SHR326MT	SHL326MT	F6S519	BF05M	NY3
R/L 152S-3225x32x6/60-75N		37,720	41,520	32	25	170	32	6-7.5	60-75	SHR326MTN	SHL326MTN	F6S518	BF05N	T25
R/L 152S-3225x32x6/75-100	○	48,200	53,050	32	25	170	32	6-7.5	75-100	SHR326MT	SHL326MT	F6S519	BF05M	NY3
R/L 152S-3225x32x6/75-100N		37,720	41,520	32	25	170	32	6-7.5	75-100	SHR326MTN	SHL326MTN	F6S518	BF05N	T25
R/L 152S-3225x32x6/100-140	○	48,200	53,050	32	25	170	32	6-7.5	100-140	SHR326MT	SHL326MT	F6S519	BF05M	NY3
R/L 152S-3225x32x6/100-140N		37,720	41,520	32	25	170	32	6-7.5	100-140	SHR326MTN	SHL326MTN	F6S518	BF05N	T25
R/L 152S-3225x32x6/140-190	○	48,200	53,050	32	25	170	32	6-7.5	140-190	SHR326MT	SHL326MT	F6S519	BF05M	NY3
R/L 152S-3225x32x6/140-190N		37,720	41,520	32	25	170	32	6-7.5	140-190	SHR326MTN	SHL326MTN	F6S518	BF05N	T25
R/L 152S-3225x32x6/190-300	○	48,200	53,050	32	25	170	32	6-7.5	190-300	SHR326MT	SHL326MT	F6S519	BF05M	NY3
R/L 152S-3225x32x6/190-300N	○	37,720	41,520	32	25	170	32	6-7.5	190-300	SHR326MTN	SHL326MTN	F6S518	BF05N	T25
R/L 152S-3225x32x6/300-∞	○	48,200	53,050	32	25	170	32	6-7.5	300-∞	SHR326MT	SHL326MT	F6S519	BF05M	NY3
R/L 152S-3225x32x6/300-∞ N	○	37,720	41,520	32	25	170	32	6-7.5	300-∞	SHR326MTN	SHL326MTN	F6S518	BF05N	T25
R/L 152S-4032x32x6/140-190		67,920	74,720	40	32	200	32	6-7.5	140-190	SHR326MT	SHL326MT	F6S519	BF05M	NY3
R/L 152S-4032x32x6/140-190N		53,160	58,480	40	32	200	32	6-7.5	140-190	SHR326MTN	SHL326MTN	F6S518	BF05N	T25
R/L 152S-4032x32x6/190-300		67,920	74,720	40	32	200	32	6-7.5	190-300	SHR326MT	SHL326MT	F6S519	BF05M	NY3
R/L 152S-4032x32x6/190-300N		53,160	58,480	40	32	200	32	6-7.5	190-300	SHR326MTN	SHL326MTN	F6S518	BF05N	T25
R/L 152S-4032x32x6/300-∞		67,920	74,720	40	32	200	32	6-7.5	300-∞	SHR326MT	SHL326MT	F6S519	BF05M	NY3
R/L 152S-4032x32x6/300-∞ N		53,160	58,480	40	32	200	32	6-7.5	300-∞	SHR326MTN	SHL326MTN	F6S518	BF05N	T25

◎ : 左右両勝手在庫 ○ : 右勝手のみ在庫 空欄 : メーカー (海外) または受注生産



1) ホルダを修正することにより、より深い切込が可能です。

レンチ以外のパーツはホルダに付属しています。

適用インサート	型番		在庫	単価		寸法 (mm)						クランプ		クランプ スクリュー	スプリング	レンチ
	R152S	L152S		R	L	H	B	L	L1	B1	D	R152S 用 SHR	L152S 用 SHL			
	型番末尾 N : CUTPIA			右勝手	左勝手							R/L152S 共通 SHN				

インサート幅 8.1mm 加工径φ75 以上

R/L 152S-2525x20x8/75-100		45,830	50,420	25	25	150	20	8-9	75-100	SHR208MT	SHL208MT	F6S519	BF05M	NY3
R/L 152S-2525x20x8/75-100N		35,870	39,460	25	25	150	20	8-9	75-100	SHR208MTN	SHL208MTN	FTS518	BF05N	T25
R/L 152S-2525x20x8/100-140		45,830	50,420	25	25	150	20	8-9	100-140	SHR208MT	SHL208MT	F6S519	BF05M	NY3
R/L 152S-2525x20x8/100-140N		35,870	39,460	25	25	150	20	8-9	100-140	SHR208MTN	SHL208MTN	FTS518	BF05N	T25
R/L 152S-2525x20x8/140-190		45,830	50,420	25	25	150	20	8-9	140-190	SHR208MT	SHL208MT	F6S519	BF05M	NY3
R/L 152S-2525x20x8/140-190N		35,870	39,460	25	25	150	20	8-9	140-190	SHR208MTN	SHL208MTN	FTS518	BF05N	T25
R/L 152S-2525x20x8/190-∞		45,830	50,420	25	25	150	20	8-9	190-∞	SHR208MT	SHL208MT	F6S519	BF05M	NY3
R/L 152S-2525x20x8/190-∞ N		35,870	39,460	25	25	150	20	8-9	190-∞	SHR208MTN	SHL208MTN	FTS518	BF05N	T25
R/L 152S-3225x20x8/75-100		46,950	51,540	32	25	170	20	8-9	75-100	SHR208MT	SHL208MT	F6S519	BF05M	NY3
R/L 152S-3225x20x8/75-100N		36,740	40,330	32	25	170	20	8-9	75-100	SHR208MTN	SHL208MTN	FTS518	BF05N	T25
R/L 152S-3225x20x8/100-140		46,950	51,540	32	25	170	20	8-9	100-140	SHR208MT	SHL208MT	F6S519	BF05M	NY3
R/L 152S-3225x20x8/100-140N		36,740	40,330	32	25	170	20	8-9	100-140	SHR208MTN	SHL208MTN	FTS518	BF05N	T25
R/L 152S-3225x20x8/140-190		46,950	51,540	32	25	170	20	8-9	140-190	SHR208MT	SHL208MT	F6S519	BF05M	NY3
R/L 152S-3225x20x8/140-190N		36,740	40,330	32	25	170	20	8-9	140-190	SHR208MTN	SHL208MTN	FTS518	BF05N	T25
R/L 152S-3225x20x8/190-∞		46,950	51,540	32	25	170	20	8-9	190-∞	SHR208MT	SHL208MT	F6S519	BF05M	NY3
R/L 152S-3225x20x8/190-∞ N		36,740	40,330	32	25	170	20	8-9	190-∞	SHR208MTN	SHL208MTN	FTS518	BF05N	T25
8 R/L 152S-4032x30x8/75-100		65,980	72,500	40	32	200	30	8-9	75-100	SHR308MT	SHL308MT	F6S519	BF05M	NY3
R/L 152S-4032x30x8/75-100N		51,640	56,740	40	32	200	30	8-9	75-100	SHR308MTN	SHL308MTN	FTS518	BF05N	T25
R/L 152S-4032x30x8/100-140	○	65,980	72,500	40	32	200	30	8-9	100-140	SHR308MT	SHL308MT	F6S519	BF05M	NY3
R/L 152S-4032x30x8/100-140N	○	51,640	56,740	40	32	200	30	8-9	100-140	SHR308MTN	SHL308MTN	FTS518	BF05N	T25
R/L 152S-4032x30x8/140-190		65,980	72,500	40	32	200	30	8-9	140-190	SHR308MT	SHL308MT	F6S519	BF05M	NY3
R/L 152S-4032x30x8/140-190N		51,640	56,740	40	32	200	30	8-9	140-190	SHR308MTN	SHL308MTN	FTS518	BF05N	T25
R/L 152S-4032x30x8/190-300		65,980	72,500	40	32	200	30	8-9	190-300	SHR308MT	SHL308MT	F6S519	BF05M	NY3
R/L 152S-4032x30x8/190-300N		51,640	56,740	40	32	200	30	8-9	190-300	SHR308MTN	SHL308MTN	FTS518	BF05N	T25
R/L 152S-4032x30x8/300-∞		65,980	72,500	40	32	200	30	8-9	300-∞	SHR308MT	SHL308MT	F6S519	BF05M	NY3
R/L 152S-4032x30x8/300-∞ N		51,640	56,740	40	32	200	30	8-9	300-∞	SHR308MTN	SHL308MTN	FTS518	BF05N	T25
¹⁾ R/L 152S-4032x50x8/140-190	○	78,060	85,830	40	32	200	50	8-9	140-190	SHN8T		F6S418	BF04T	NY2.5
¹⁾ R/L 152S-4032x50x8/140-190N	○	61,090	67,170	40	32	200	50	8-9	140-190	SHN8TN		FTS416A	BF04N	T20
¹⁾ R/L 152S-4032x50x8/190-300	○	78,060	85,830	40	32	200	50	8-9	190-300	SHN8T		F6S418	BF04T	NY2.5
¹⁾ R/L 152S-4032x50x8/190-300N	○	61,090	67,170	40	32	200	50	8-9	190-300	SHN8TN		FTS416A	BF04N	T20
¹⁾ R/L 152S-4032x50x8/300-500	○	78,060	85,830	40	32	200	50	8-9	300-500	SHN8T		F6S418	BF04T	NY2.5
¹⁾ R/L 152S-4032x50x8/300-500N	○	61,090	67,170	40	32	200	50	8-9	300-500	SHN8TN		FTS416A	BF04N	T20
¹⁾ R/L 152S-4032x50x8/500-∞	○	78,060	85,830	40	32	200	50	8-9	500-∞	SHN8T		F6S418	BF04T	NY2.5
¹⁾ R/L 152S-4032x50x8/500-∞ N	○	61,090	67,170	40	32	200	50	8-9	500-∞	SHN8TN		FTS416A	BF04N	T20

◎ : 左右両勝手在庫 ○ : 右勝手のみ在庫 空欄 : メーカー (海外) または受注生産

外径溝入れ

突切り

端面溝入れ

内径溝入れ

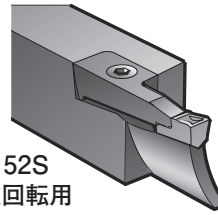
ヌスミ溝入れ

インサート

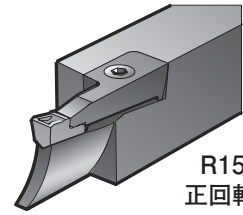
切削条件表

自動盤工具

152S 端面溝入れ 10-12mm



L152S
逆回転用



R152S
正回転用

NEW カットピア (CUTPIA) による日本生まれの新しいホルダ (型番末尾 N)

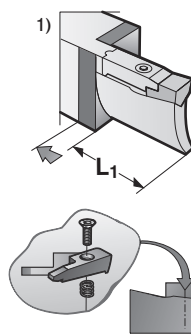
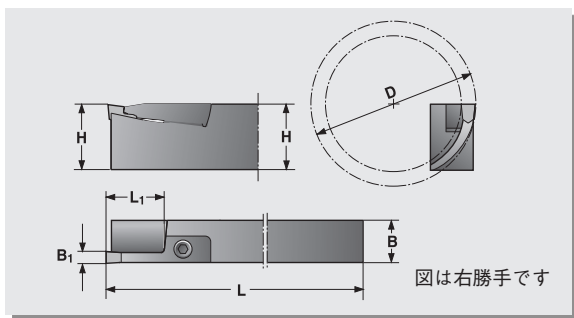
- ・ミルコーナ製と同等以上の品質で、価格を抑えました。
- ・ミルコーナと互換性があり、ミルコーナ/カットピアインサートが使用可能。

適用インサート	型番 型番末尾 N : CUTPIA	在庫	単価		寸法 (mm)					クランプ		クランプ スクリュー 	スプリング 	レンチ 	
			R 右勝手	L 左勝手	H	B	L	L ₁	B ₁	D	R152S 用 SHR				L152S 用 SHL
			R/L152S 共通												

インサート幅 10.1mm 加工径φ75 以上

10	R/L 152S-3225x20x10/75-100	46,950	51,540	32	25	170	20	10-11	75-100	SHR2010MT	SHL2010MT	F6S519	BF05M	NY3
	R/L 152S-3225x20x10/75-100N	36,740	40,330	32	25	170	20	10-11	75-100	SHR2010MTN	SHL2010MTN	FTS518	BF05N	T25
	R/L 152S-3225x20x10/100-140	46,950	51,540	32	25	170	20	10-11	100-140	SHR2010MT	SHL2010MT	F6S519	BF05M	NY3
	R/L 152S-3225x20x10/100-140N	36,740	40,330	32	25	170	20	10-11	100-140	SHR2010MTN	SHL2010MTN	FTS518	BF05N	T25
	R/L 152S-3225x20x10/140-190	46,950	51,540	32	25	170	20	10-11	140-190	SHR2010MT	SHL2010MT	F6S519	BF05M	NY3
	R/L 152S-3225x20x10/140-190N	36,740	40,330	32	25	170	20	10-11	140-190	SHR2010MTN	SHL2010MTN	FTS518	BF05N	T25
	R/L 152S-3225x20x10/190-∞	46,950	51,540	32	25	170	20	10-11	190-∞	SHR2010MT	SHL2010MT	F6S519	BF05M	NY3
	R/L 152S-3225x20x10/190-∞ N	36,740	40,330	32	25	170	20	10-11	190-∞	SHR2010MTN	SHL2010MTN	FTS518	BF05N	T25
	R/L 152S-4032x30x10/75-100	65,980	72,500	40	32	200	30	10-11	75-100	SHR3010MT	SHL3010MT	F6S519	BF05M	NY3
	R/L 152S-4032x30x10/75-100N	51,640	56,740	40	32	200	30	10-11	75-100	SHR3010MTN	SHL3010MTN	FTS518	BF05N	T25
	R/L 152S-4032x30x10/100-140	65,980	72,500	40	32	200	30	10-11	100-140	SHR3010MT	SHL3010MT	F6S519	BF05M	NY3
	R/L 152S-4032x30x10/100-140N	51,640	56,740	40	32	200	30	10-11	100-140	SHR3010MTN	SHL3010MTN	FTS518	BF05N	T25
	R/L 152S-4032x30x10/140-190	65,980	72,500	40	32	200	30	10-11	140-190	SHR3010MT	SHL3010MT	F6S519	BF05M	NY3
	R/L 152S-4032x30x10/140-190N	51,640	56,740	40	32	200	30	10-11	140-190	SHR3010MTN	SHL3010MTN	FTS518	BF05N	T25
	R/L 152S-4032x30x10/190-300	65,980	72,500	40	32	200	30	10-11	190-300	SHR3010MT	SHL3010MT	F6S519	BF05M	NY3
	R/L 152S-4032x30x10/190-300N	51,640	56,740	40	32	200	30	10-11	190-300	SHR3010MTN	SHL3010MTN	FTS518	BF05N	T25
	R/L 152S-4032x30x10/300-∞	65,980	72,500	40	32	200	30	10-11	300-∞	SHR3010MT	SHL3010MT	F6S519	BF05M	NY3
	R/L 152S-4032x30x10/300-∞ N	51,640	56,740	40	32	200	30	10-11	300-∞	SHR3010MTN	SHL3010MTN	FTS518	BF05N	T25
	¹⁾ R/L 152S-4032x50x10/140-190	78,060	85,830	40	32	200	50	10-11	140-190	SHN10T		F6S518T	BF05T	NY3
	¹⁾ R/L 152S-4032x50x10/140-190N	61,090	67,170	40	32	200	50	10-11	140-190	SHN10TN		FTS518A	BF05N	T25
	¹⁾ R/L 152S-4032x50x10/190-300	78,060	85,830	40	32	200	50	10-11	190-300	SHN10T		F6S518T	BF05T	NY3
	¹⁾ R/L 152S-4032x50x10/190-300N	61,090	67,170	40	32	200	50	10-11	190-300	SHN10TN		FTS518A	BF05N	T25
	¹⁾ R/L 152S-4032x50x10/300-∞	78,060	85,830	40	32	200	50	10-11	300-∞	SHN10T		F6S518T	BF05T	NY3
	¹⁾ R/L 152S-4032x50x10/300-∞ N	61,090	67,170	40	32	200	50	10-11	300-∞	SHN10TN		FTS518A	BF05N	T25

◎ : 左右両勝手在庫 ○ : 右勝手のみ在庫 空欄 : メーカー (海外) または受注生産



1) ホルダを修正することにより、より深い切込が可能です。

レンチ以外のパーツはホルダに付属しています。

適用インサート	型番		在庫	単価		寸法 (mm)					クランプ		クランプ スクリュー	スプリング	レンチ	
	L152S	R152S		R	L	H	B	L	L1	B1	D	R152S 用				L152S 用
	型番末尾 N : CUTPIA			右勝手	左勝手							SHR				SHL

インサート幅 12.1mm 加工径φ75 以上

	R/L 152S-4032x30x12/75-100	65,980	72,500	40	32	200	30	12	75-100	SHR3012MT	SHL3012MT	F6S519	BF05M	NY3
	R/L 152S-4032x30x12/75-100N	51,640	56,740	40	32	200	30	12	75-100	SHR3012MTN	SHL3012MTN	FTS518	BF05N	T25
	R/L 152S-4032x30x12/100-140	65,980	72,500	40	32	200	30	12	100-140	SHR3012MT	SHL3012MT	F6S519	BF05M	NY3
	R/L 152S-4032x30x12/100-140N	51,640	56,740	40	32	200	30	12	100-140	SHR3012MTN	SHL3012MTN	FTS518	BF05N	T25
	R/L 152S-4032x30x12/140-190	65,980	72,500	40	32	200	30	12	140-190	SHR3012MT	SHL3012MT	F6S519	BF05M	NY3
	R/L 152S-4032x30x12/140-190N	51,640	56,740	40	32	200	30	12	140-190	SHR3012MTN	SHL3012MTN	FTS518	BF05N	T25
	R/L 152S-4032x30x12/190-300	65,980	72,500	40	32	200	30	12	190-300	SHR3012MT	SHL3012MT	F6S519	BF05M	NY3
	R/L 152S-4032x30x12/190-300N	51,640	56,740	40	32	200	30	12	190-300	SHR3012MTN	SHL3012MTN	FTS518	BF05N	T25
	R/L 152S-4032x30x12/300-∞	65,980	72,500	40	32	200	30	12	300-∞	SHR3012MT	SHL3012MT	F6S519	BF05M	NY3
	R/L 152S-4032x30x12/300-∞N	51,640	56,740	40	32	200	30	12	300-∞	SHR3012MTN	SHL3012MTN	FTS518	BF05N	T25
	R/L 152S-4032x40x12/75-100	73,750	81,100	40	32	200	40	12	75-100	SHR4012MT	SHL4012MT	F6S526	BF05M	NY3
	R/L 152S-4032x40x12/75-100N	57,720	63,470	40	32	200	40	12	75-100	SHR4012MTN	SHL4012MTN	FTS525	BF05N	T25
	R/L 152S-4032x40x12/100-140	73,750	81,100	40	32	200	40	12	100-140	SHR4012MT	SHL4012MT	F6S526	BF05M	NY3
	R/L 152S-4032x40x12/100-140N	57,720	63,470	40	32	200	40	12	100-140	SHR4012MTN	SHL4012MTN	FTS525	BF05N	T25
12	¹⁾ R/L 152S-4032x50x12/140-190	78,060	85,830	40	32	200	50	12	140-190	SHN12T		F6S519	BF05T	NY3
	¹⁾ R/L 152S-4032x50x12/140-190N	61,090	67,170	40	32	200	50	12	140-190	SHN12TN		FTS518	BF05N	T25
	¹⁾ R/L 152S-4032x50x12/190-300	78,060	85,830	40	32	200	50	12	190-300	SHN12T		F6S519	BF05T	NY3
	¹⁾ R/L 152S-4032x50x12/190-300N	61,090	67,170	40	32	200	50	12	190-300	SHN12TN		FTS518	BF05N	T25
	¹⁾ R/L 152S-4032x50x12/300-∞	78,060	85,830	40	32	200	50	12	300-∞	SHN12T		F6S519	BF05T	NY3
	¹⁾ R/L 152S-4032x50x12/300-∞N	61,090	67,170	40	32	200	50	12	300-∞	SHN12TN		FTS518	BF05N	T25
	¹⁾ R/L 152S-5040x50x12/140-190	都度見積	都度見積	50	40	250	50	12	140-190	SHN12T		F6S519	BF05T	NY3
	¹⁾ R/L 152S-5040x50x12/140-190N	都度見積	都度見積	50	40	250	50	12	140-190	SHN12TN		FTS518	BF05N	T25
	¹⁾ R/L 152S-5040x50x12/190-300	都度見積	都度見積	50	40	250	50	12	190-300	SHN12T		F6S519	BF05T	NY3
	¹⁾ R/L 152S-5040x50x12/190-300N	都度見積	都度見積	50	40	250	50	12	190-300	SHN12TN		FTS518	BF05N	T25
	¹⁾ R/L 152S-5040x50x12/300-∞	都度見積	都度見積	50	40	250	50	12	300-∞	SHN12T		F6S519	BF05T	NY3
	¹⁾ R/L 152S-5040x50x12/300-∞N	都度見積	都度見積	50	40	250	50	12	300-∞	SHN12TN		FTS518	BF05N	T25

◎：左右両勝手在庫 ○：右勝手のみ在庫 空欄：メーカー（海外）または受注生産

外径溝入れ
突切り
端面溝入れ
内径溝入れ
ヌスミ溝入れ
インサート
切削条件表
自動盤工具